



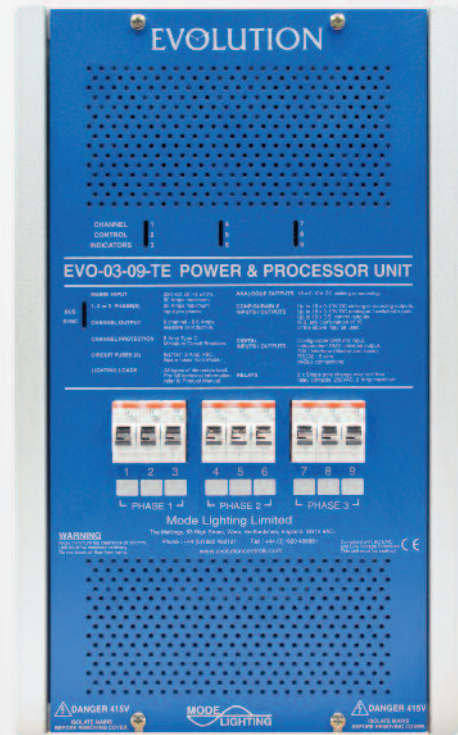
CONTROLLING THE FUTURE OF LIGHTING

Evolution is a fully scalable control system offering control of lighting and auxiliary loads with DMX, DSI, 1-10v, RS232 and astronomic time clock control built in as standard.

The Trailing Edge Power and Processor Units are designed specifically for the control of trailing edge controllable loads ie certain electronic LV transformers, filament lamps and the latest generations of dimmable low energy lamps and LED drivers.

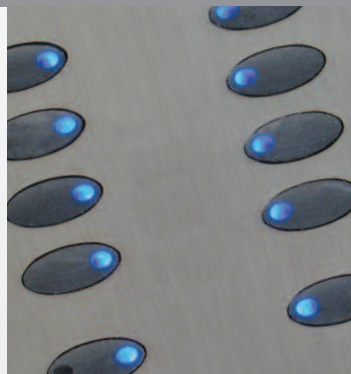
## ▶ PRODUCT INFORMATION

- ▶ NINE CHANNELS of 3 amps suitable for Trailing Edge and Resistive loads only.
- ▶ FULLY CONFIGURABLE control operation.
- ▶ MULTI-FUNCTION DSI, DMX, M-BUS, RS232, 0/1-10 Volt and contact operation.
- ▶ ASTRONOMICAL TIME CLOCK built in.
- ▶ INTELLIGENT SELF MONITORING power supply.
- ▶ FACTORY SET DEFAULT operation for quick installation and testing.
- ▶ CIRCUIT PROTECTION individual 8 Amp Type C MCB for each channel.
- ▶ EMERGENCY OUTPUTS (2 per phase) fixed live MCB protected outputs for maintained emergency supplies.
- ▶ SUPPLY INPUT 200-250 Volt 50-60 Hz. Single or Three phase options.
- ▶ COMPLIES with EC EMC and Low Voltage Directives (CE).
- ▶ MODE products are guaranteed for two years.



## ▶ CONSTRUCTION

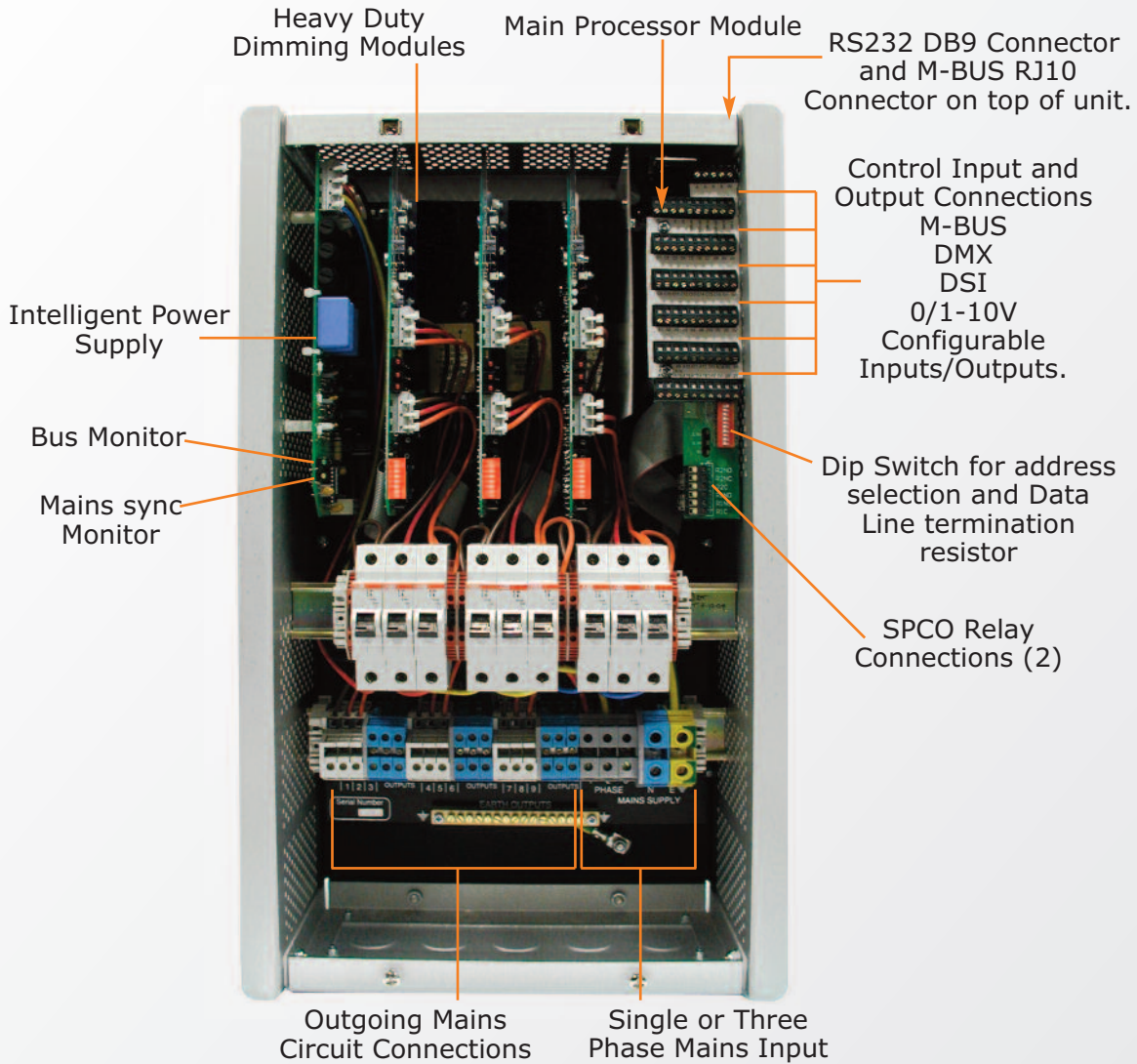
The Evolution power and processor unit builds on the quality and reliability of Mode product designs and offers high specification control and power management in a mechanically, electrically and thermo dynamically designed unit.



CONTROLLING THE FUTURE OF LIGHTING

Mode Lighting Ltd.  
 The Maltings, 63 High Street,  
 Ware, Hertfordshire, SG12 9AD,  
 United Kingdom.  
 Tel: +44 (0) 1920 462121  
 Fax: +44 (0) 1920 466881  
 email: sales@modelighting.com  
[www.modelighting.com](http://www.modelighting.com)

## INTERNAL WIRING



## INSTALLATION NOTES

MODEL	EVO-03-09-TE
Mains Supply	200-250 Volt 50-60 Hz. Single or Three phase.
Control Fuse	20mm x 5mm 2 amp HRC Ceramic. (3)
Channel Outputs	9 x 3 amp Trailing Edge and Resistive loads only.
Circuit Protection	Individual 8 amp Type C Miniature Circuit Breaker.
Control Outputs	M-BUS, RS232, DMX, 0/1-10V, DSI.
Control Inputs	M-BUS, RS232, DMX, 0/1-10V, Contact Closure.
Contact Outputs	2 x SPCO (250VAC, 2A max) relay contacts

MODEL	EVO-03-09-TE
Conduit Entries	Base entry. Five 32mm couplers or removable panel.
Dimensions	534 mm x 322 mm x 160 mm.
Fixing Centres	452 mm x 302 mm.
Weight	11 kgs.
Packed Size	600 mm x 400 mm x 240 mm.
Packed Weight	12 kgs.
Standards	EMC Emissions EN55014, EMC Immunity EN61547, Voltage fluctuation EN61000-3-3, Safety EN60439-1 and EN60950

For full details on the installation and programming please refer to the full Installation and scene setting programming guides available online at [www.evolutioncontrols.com](http://www.evolutioncontrols.com) or [www.modelighting.com](http://www.modelighting.com)

## COMPANY BACKGROUND

Mode Lighting work closely with Lighting Designers, M & E Consultants, Architects, Quantity Surveyors, Developers, Electrical Contractors and Multi Media Specialist installers to ensure the right solution is provided for each individual project. Products designed and manufactured by Mode Lighting include control systems, electronic transformers, cold cathode converters and LED components. Nearly 40 years of experience in these areas has lead to the creation of a network of satellite offices, distributors and dealers providing localised sales and technical support to clients worldwide.

DS000 - V1