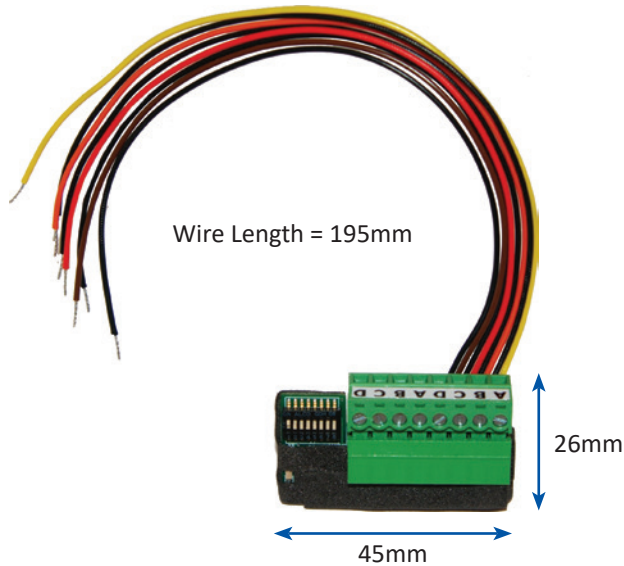


Contact Input Module



The Evolution Contact Input Module allows connection of up to four independent volt free contact closure inputs to trigger events on an eDIN+ or Evolution system.

Inputs can be from retractive switches, push buttons, rocker switches, PIR sensors or relay outputs from security systems etc.

The inputs may be used to trigger any operation in the same way as a button on a keypad.

Triggering may be on any state: closed, opened, held-closed or released-after-being-held.

Key Features

- » Four contact inputs.
- » Pluggable 2.5mm screw terminal connections.
- » Trigger on either contact closed/opened/held-closed/released-after-being-held states.
- » Up to 255 modules per M-BUS network (over 1000 inputs).
- » Input sensitivity (contact closed/held time and de-bounce is configurable from PC software for each input.
- » Input type (normally-open/normally-closed) may be inverted in software without the need for rewiring.
- » Wire inputs for switch connections.
- » M-BUS power/data indicator LED.
- » No additional power supply required.
- » Complies with EC EMC and Low Voltage Directives (CE).
- » 2 year warranty.

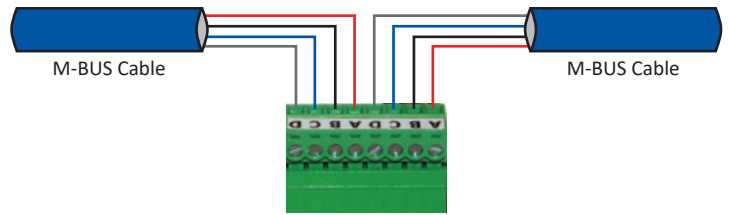
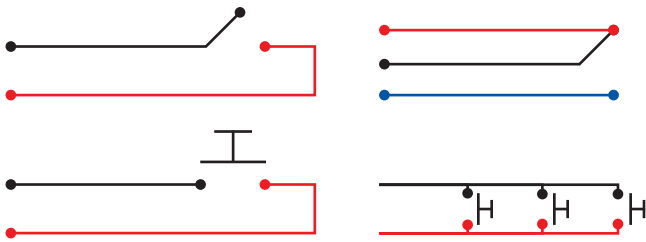
EVOLUTION
IT WAS ONLY A MATTER OF TIME

eDIN+



System Architecture

Switch Wiring Example



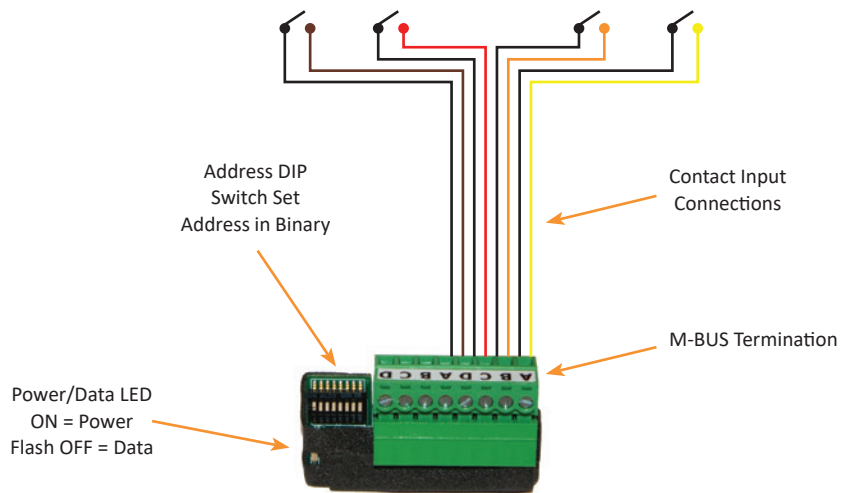
M-BUS Wiring

Recommended Cable Type: Mode M-BUS or Belden 1502R

Binary Addresses



Wire	Function
Black	Common/Switch Return
Brown	Channel 1
Red	Channel 2
Orange	Channel 3
Yellow	Channel 4



Technical Data

Power	
Power Supply	» +24V, 20mA (from M-BUS)
Connections & Cable Specifications	
Protocol	» Mode M-BUS
Contact Input	» 4 x volt free contact inputs or 0-24V DC
Switching Level	» 5V-24V (invert state using the configuration software for non volt free operation)
Mechanical	
Dimensions	» 26mm High x 45mm Wide x 11mm Deep
Weight	» 95g
Contact Input Wire Length	» 195mm

Installation should be in accordance with the relevant National Wiring Regulations and other applicable Regulations. Compliance to EC EMC and Low Voltage Directives may be invalidated if not used or installed according to the published specification.

EVO-INT-CI-04 should be located in well ventilated areas and should not be covered or enclosed by insulating materials.

Mode reserve the right to amend the product specification or design at any time and without notice.



Mode Lighting Limited. The Maltings, 63 High Street, Ware, Hertfordshire, SG12 9AD. United Kingdom.
Tel: +44 (0) 1920 462121 | Fax: +44 (0) 1920 466881 | Email: sales@modellighting.com | www.modellighting.com