

SET-MLMW Occupancy Sensor

set square
energy saving controls



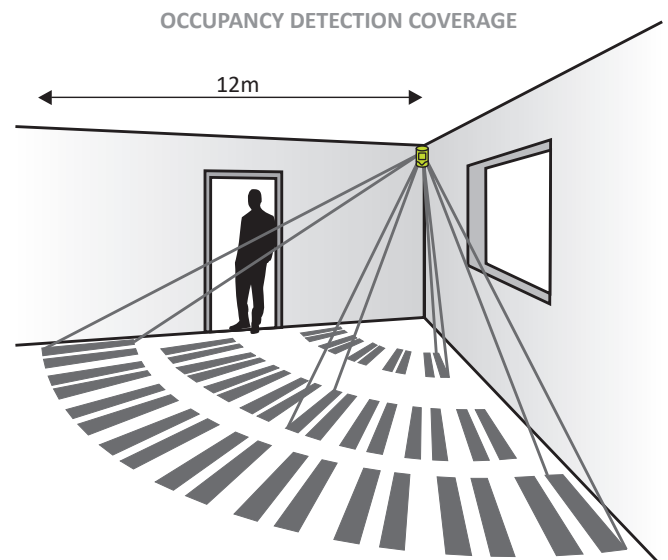
Key Features

- » PIR presence detector.
- » 12V linkable system sensor.
- » 12 Metre range.
- » Wall or Ceiling mount variants.
- » Linkable - connect multiple sensors together for greater coverage.
- » Built-in Light Level sensor.
- » Mode Lighting products are guaranteed for two years.

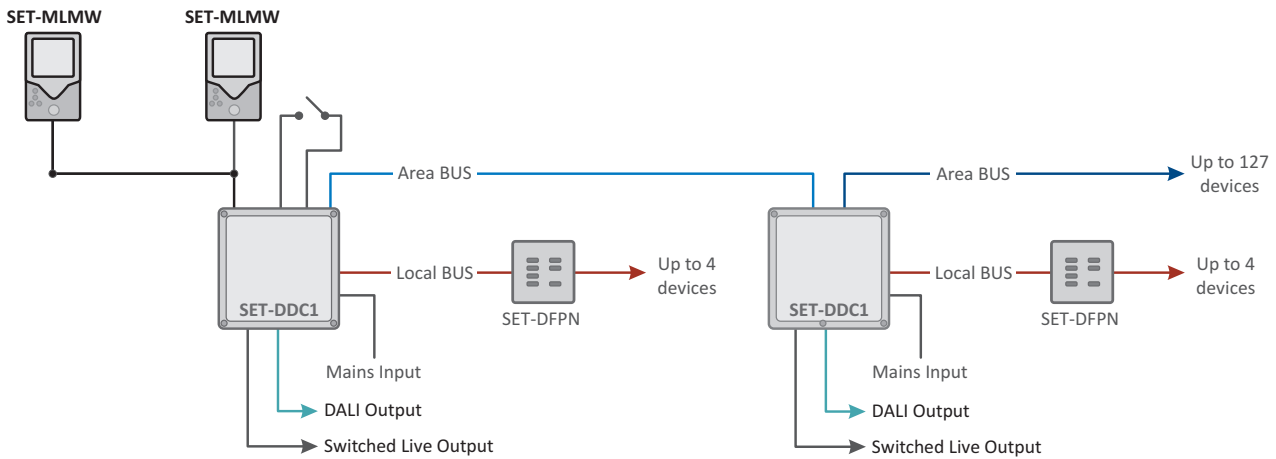
The SET-MLMW is a presence detector designed for corridors or larger areas and operates by sensing movement of infra red radiation from a human body. With occupancy and light level detection incorporated into the unit, it's relay output provides a signal to a lighting control system. The unit can be ordered with a ceiling or wall mounting bracket, both are adjustable to allow the correct coverage.

infrapod

dayLUX



System Architecture



Mounting Bracket Options

Figure 1. Wall Mounting

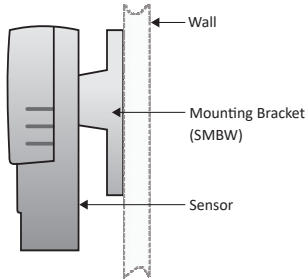


Figure 2. Ceiling Mounting

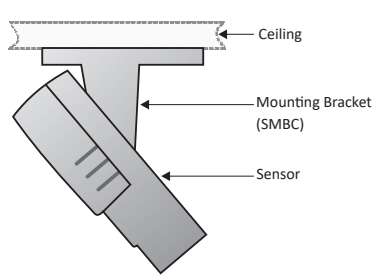
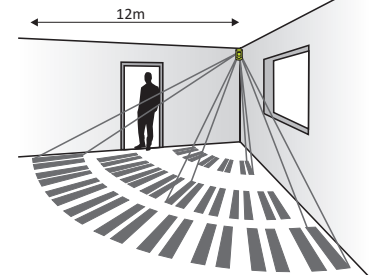


Figure 3. Occupancy Detection Coverage



Technical Data

Movement Sensor	
Type	» Passive Infra Red
Movement Sensor Type	» Dual pyro element
Field of View	» See coverage diagram
Coverage	» 12 metre maximum @ 2.2 Metre mounting height
Output	» 12v open collector
Light Level Sensor	
Type	» Photo Diode
Lux Level	» Adjustable from 50 to 1500 lux (Switch OFF - Switch ON Level)
Mechanical	
Dimensions	» L=145mm x W=80mm x D=50mm
Material	» White Polycarbonate
Weight	» 100g
Operating temperature	» 0-40°C
IP rating	» IP 50
Installation	» Wall or Ceiling Mount Available
Product Codes	
SET-MLMW-SMBW	» Wall Mount Bracket
SET-MLMW-SMBC	» Ceiling Mount Bracket

Works With

Product Codes	Description
DAYLUX Lighting Control System	
SET-DLCM3	» Pluggable Lighting Control Module
SET-DLCM5	» Pluggable Lighting Control Module
SET-DDC1	» Hard Wired Lighting Control Module
SET-DDC2	» Hard Wired Lighting Control Module
SET-DDC4	» Hard Wired Lighting Control Module
InfraPOD	
SET-PODCU1	» Single Relay Controller
SET-PODCU2	» Dual Relay Controller

