

SET-PDOCH-RJ Occupancy Sensor

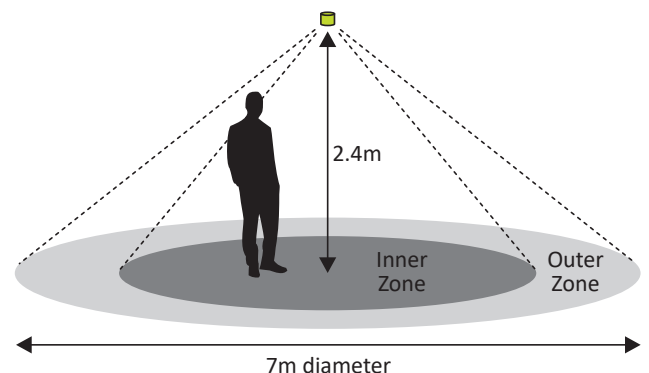
set square
energy saving controls



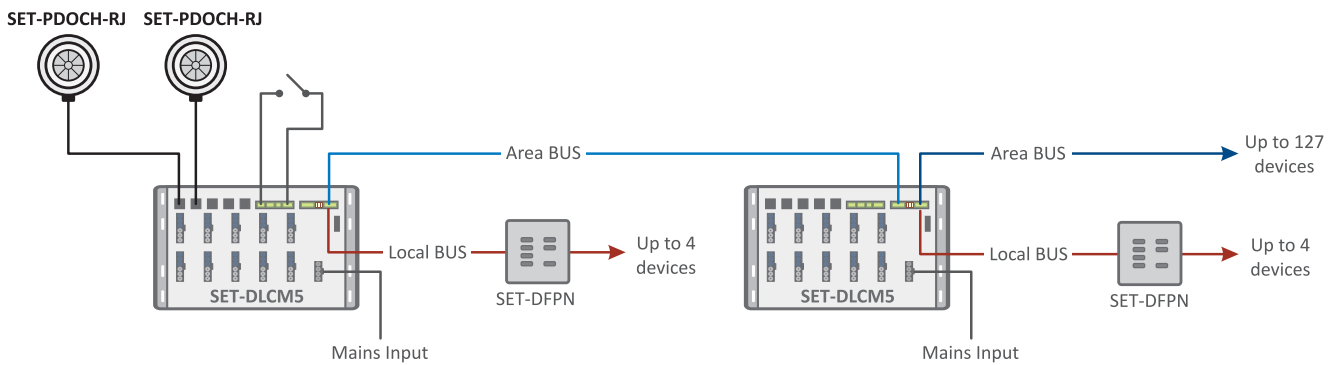
The SET-PDOCH-RJ is a discrete low profile, ceiling mounted Multi Sensor which combines a PIR occupancy sensor and an analogue light sensor. Specifically designed to connect into the SET-DLCM3 or SET-DLCM5 Lighting Control Modules, the sensor comes complete with a 5 metre RJ12 to RJ12 connection lead enabling rapid installation. The occupancy sensor provides a contact signal back to the LCM when movement is detected and the light level sensor reports dynamically on the ambient light level.

Key Features

- » Occupancy sensor.
- » Compact and discreet form factor.
- » Low Voltage SELV.
- » Linkable - connect multiple sensors together for greater coverage.
- » Super sensitive - dual pyro element detection.
- » Easy mounting in plasterboard ceilings or fibre ceiling tiles.
- » Multi-facet fresnel lens.
- » IP64 rated version for use within bathrooms.
- » Mode Lighting products are guaranteed for two years.



System Architecture



Installation Diagrams

Figure 1. Rear Mounting.

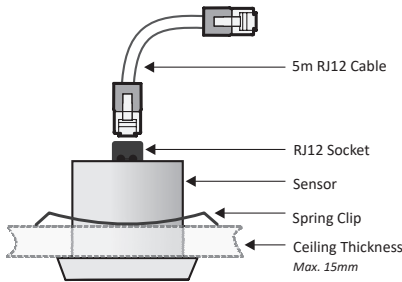


Figure 2. Wiring

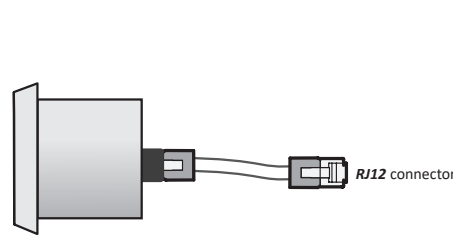
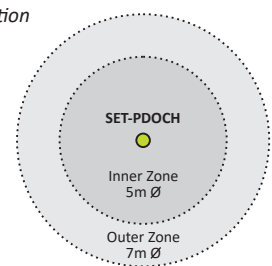


Figure 3. PIR Detection Coverage



Technical Data

Inputs	
Voltage Supply	» 12v DC (Supplied by controller/LCM)
Current Consumption	» 1mA
Connection	» RJ12 connector
Lead Included	» 5 metre RJ12 to RJ12 lead (White)
Movement Sensor	
Type	» Passive Infra Red
Movement Sensor Type	» Dual pyro element
Field of View	» 360°
Coverage	» Diameter = 2.7 x Ceiling Height (m)
Output	» Open Collector
Mechanical	
Dimensions	» L=45mm x W=45mm x D=35mm
Material	» White Polycarbonate
Weight	» 44g
Operating temperature	» 0-40°C
IP rating	» IP 50
Installation hole	» 38mm
Mechanical Fixing	» Metal spring clip
Product Codes	
SET-PDOCH-RJ	» Standard - For ceiling tile mount
SET-PDOCH-S	» IP rated (IP64) sensor face only
SET-PDOCH-FF	» Front Fit - For fixed ceilings

Works With

Product Codes	Description
DAYLUX Lighting Control System	
SET-DLCM3	» Pluggable Lighting Control Module
SET-DLCM5	» Pluggable Lighting Control Module
SET-PSB	» Surface Mount Kit
SET-FF	» Front Fit Kit
InfraPOD	
SET-PODCU1	» Single Relay Controller
SET-PODCU2	» Dual Relay Controller

