

# SET-SCM-20-IP

## Microwave Sensor

**set square**  
energy saving controls



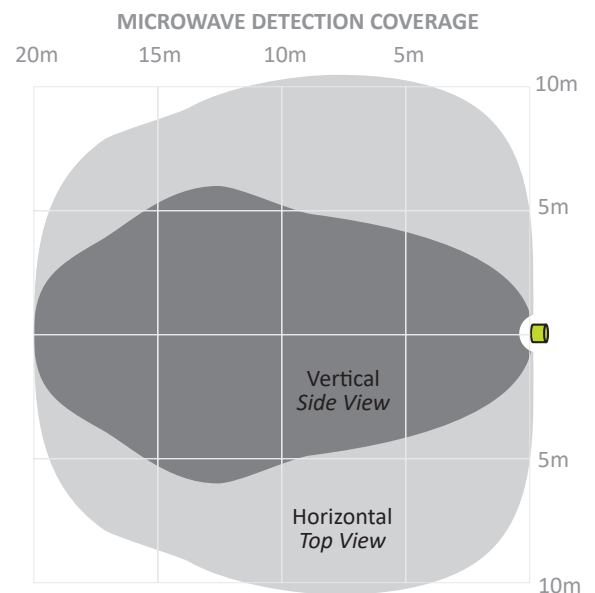
The SET-SMC-20-IP is a microwave sensor which utilises doppler radar to sense movement. Suitable for large enclosed spaces such as car parks and sports halls the sensor can detect movement up to 20 metres away. When movement is detected a volt free contact closure in the unit provides a signal back to the Lighting Control System, or a 240V feed to the relay can be provided for direct control of the lights. The unit also incorporates a light level sensor which can be programmed to keep the lighting OFF if there is sufficient natural daylight in the detection area. Setup of the control parameters such as time delay, light level and test mode is carried out by a separate Infra Red handset called the SET-IRT5. The unit can be ordered with a ceiling or wall mounting bracket, both are adjustable to allow the correct coverage.

### Key Features

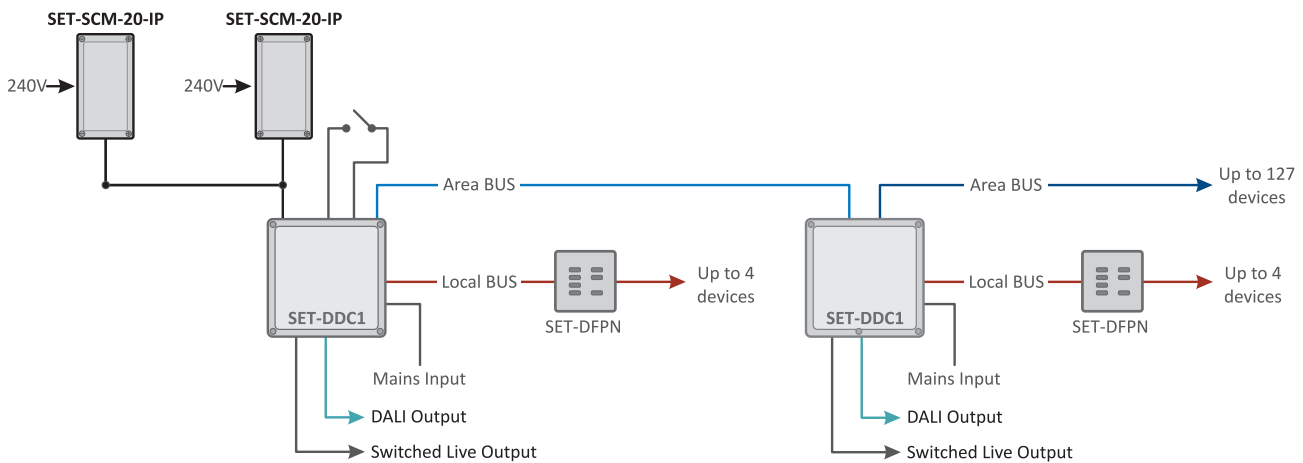
- » Microwave Sensor - IP Rated.
- » 20 Metre range.
- » Vandal Resistant.
- » Linkable - connect multiple sensors together for greater coverage.
- » Super sensitive - adjustable range.
- » Built-in Light Level sensor.
- » IR remote control set up (SET-IRT5).
- » Mode Lighting products are guaranteed for two years.

infrapod

dayLUX



### System Architecture



### Installation Diagrams

Figure 1. Wall Mounting

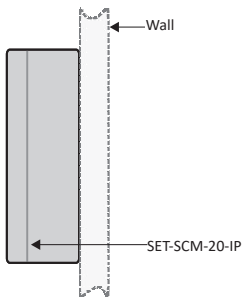
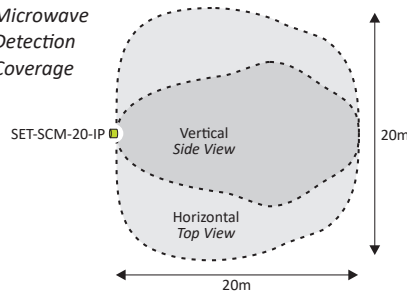


Figure 2. Microwave Detection Coverage



### Technical Data

Inputs	
Voltage Supply	» 240V
Current Consumption	» 100mA
Connection	» Screw Terminal
Movement Sensor	
Type	» Microwave
Movement Sensor Type	» Doppler Radar Detector
Field of View	» See coverage diagram
Coverage	» 20 metre maximum - Adjustable
Output	» Volt Free Relay
Maximum Relay Voltage	» 240v AC
Maximum Relay Load	» 8 amp inductive or resistive (8 x ballasts or drivers)
Light Level Sensor	
Type	» Photo Diode
Lux Level	» Adjustable from 50 to 1500 lux
Mechanical	
Dimensions	» L=145mm x W=80mm x D=50mm
Material	» White Polycarbonate
Weight	» 100g
Operating temperature	» 0-40°C
IP rating	» IP 50
Installation	» Wall or Ceiling Mount Available

### Product Codes

Product Codes	
SET-SCM-20-IP	» Microwave sensor with Wall Mount
SET-IRTS	» Programming Handset

### Works With

Product Codes	Description
<b>DAYLUX Lighting Control System</b>	
SET-DDC1	» Hard Wired Lighting Control Module
SET-DDC2	» Hard Wired Lighting Control Module
SET-DDC4	» Hard Wired Lighting Control Module
<b>InfraPOD</b>	
SET-PODCU1	» Single Relay Controller
SET-PODCU2	» Dual Relay Controller



Mode Lighting Limited. The Maltings, 63 High Street, Ware, Hertfordshire, SG12 9AD. United Kingdom.  
 Tel: +44 (0) 1920 462121 | Fax: +44 (0) 1920 466881 | Email: sales@modelighting.com | www.modelighting.com