

SET-SEN-DIM-SM

Occupancy Sensor

set square
energy saving controls



The SET-SEN-DIM-SM is a Surface Mounted sensor for installation in ceilings.

The SET-SEN-DIM-SM is a main powered, self-contained, configurable occupancy (Presence or Absence) and light level detector.

If this sensor is configured as a presence detector, then it will automatically switch lighting on when movement from body heat has been detected. It will automatically switch it off again once movement has ceased following a preset adjustable time delay.

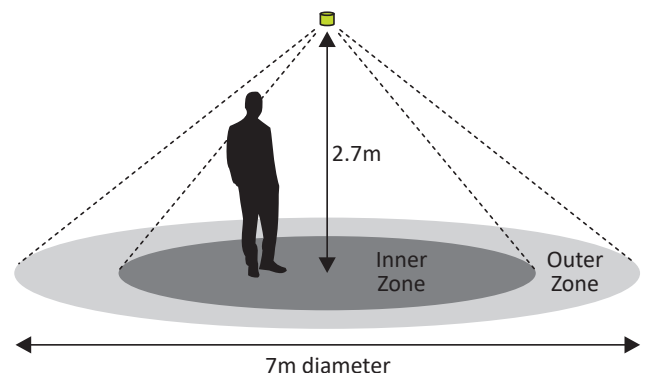
But if this sensor is configured as absence detector, then it requires the lights to be energised in the first instance by a non-latching, push to make, retractable switch. The lights will remain on whilst body heat movement is detected. It will automatically switch off again once movement has ceased and a preset adjustable time delay has expired. However, the light intensity can be changed manually by pressing the non-latching push switch.

The SET-SEN-DIM-SM can provide a DALI (Broadcast only) or 1-10V analogue output. It provides automatic daylight linking dimming based on natural daylight ingress.



Key Features

- » Absence Detector.
- » Standalone operation.
- » Adjustable time delay.
- » Super sensitive - dual pyro element detection.
- » Single gang box mounting into plasterboard or fibre ceiling tiles.
- » Multi-facet fresnel lens.
- » Compact and discreet form factor.
- » Mode Lighting products are guaranteed for two years.



Installation Diagrams

Figure 1. Mounting.

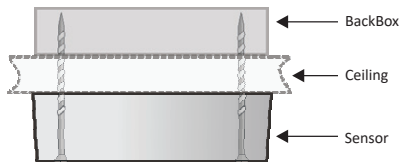


Figure 2. Wiring

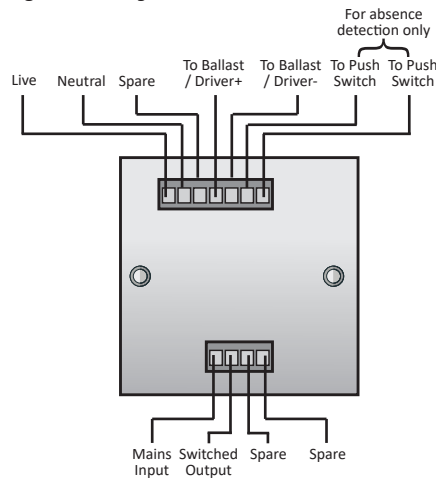
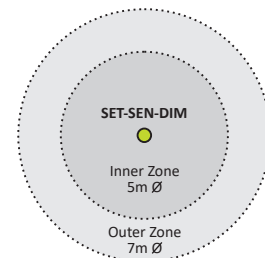


Figure 3. PIR Detection Coverage



Technical Data

Inputs	
Voltage Supply	» 230v AC 50Hz
Current Consumption	» 100mA
Terminal Size	» 2.5mm CSA
Movement and Light Level Sensor	
Type	» Passive Infra Red
Movement Sensor Type	» Dual pyro element
Field of View	» 360°
Coverage	» Diameter = 2.5 x Ceiling Height (upto 2.7 metres)
Maximum Mounting Height:	» 4 metres (Standard) 14 metres (High Bay)
Photodiode: Range Output	» 25 to 2,000 Lux +/- 10%
Switching Capacity	» 9 high frequency ballasts or drivers. 3 Amps inductive or resistive
Dimming Output:	» DALI (Broadcast only) or 1-10V. This is not an SELV output and should be treated as if at mains potential
Dimming Capacity:	» Up to 9 DALI or 1-10V ballasts/drivers
Time Delay	» Adjustable between 1 to 100 minutes. » Test mode = 10 seconds
Configuration accessory	» Infrared programmer
Mechanical	
Dimensions	» L=80mm x W=80mm x D=27mm
Material	» White Polycarbonate
Weight	» 110g
Operating temperature	» 0-40°C
IP rating	» IP 50
Mechanical Fixing	» Fits to a single gang backbox

Product Codes

Product Codes	Description
SET-SEN-DIM-SM	» Standard
SET-SEN-DIM-SM-HB	» High bay Sensor. Coverage (360° Field View), 1.2 X Mounting Height (maximum Mounting Height 14 Meters)

Works With

Product Codes	Description
SET-MB9D	» Pluggable Lighting Control Module
SET-SEN-PROG-01	» Programming handheld remote
SET-SB	» Surface backbox

