




TECHNICAL SPECIFICATION

PRODUCT		MOE-075-D	MOE-105-D
Input:	Voltage	220v, 230v, 240v	220v, 230v, 240v
	Current	0.35 amp maximum	0.50 amp maximum
	Power Factor	Cos ϕ 0.99	Cos ϕ 0.99
	Frequency	50/60 Hz	50/60 Hz
Output:	Voltage	11.2v RMS nominal	11.2v RMS nominal
	Current	6.4 amp maximum	8.2 amp maximum
	Power	20 to 75 VA	20 to 105 VA
	Frequency	40 KHz	40 KHz
Efficiency:		96% (typical)	96% (typical)
Regulation:		2.8% 300 mV with 100mm output leads	3.4% 460 mV with 100mm output leads
Isolation:		4240 Volt to IEC 65 (BS 415, VDE 0860)	4240 Volt to IEC 65 (BS 415, VDE 0860)
Temperature:	Case rise (Tr)	30°C at 75 VA	40°C at 105 VA
	Ambient (Ta)	70°C maximum	60°C maximum
	Case (Tc)	100°C maximum	100°C maximum
Weight:		240g	240g
Protection:	Short Circuit	Auto-reset	Auto-reset
	Overload	Auto-reset	Auto-reset
	Thermal	100°C Auto-regulating	100°C Auto-regulating
Fusing:	Primary	Fusible link	Fusible link
	Secondary	None required	None required
Earth Connection:		None required IEC 536 (BS 2754, VDE 0860)	
RFI Suppression:		EN 50081 (BS EN 50081)	
		EN 55011 (BS EN 55011, VDE 0875 Pt 11)	
		EN 55014 (BS 800, VDE 0875 Pt 1)	
		EN 55015 (BS 5394, VDE 0875 Pt 2)	
		EN 55022 (BS 6527, VDE 0878 Pt 3)	
Case Material:		Flame retardant to UL94-VO, IEC 695-2-1/2	
International Standard:		IEC 1046 (BS EN 61046, VDE 0712 Pt 24)	
		Use with low voltage lighting (12 volt).	
		Construction to IEC 65 Class II.	
		Safety isolating transformer, inherently short circuit proof.	

Mode Lighting (UK) Limited reserve the right without notice to amend the above technical information and specifications

MOE-075-D
MOE-105-D



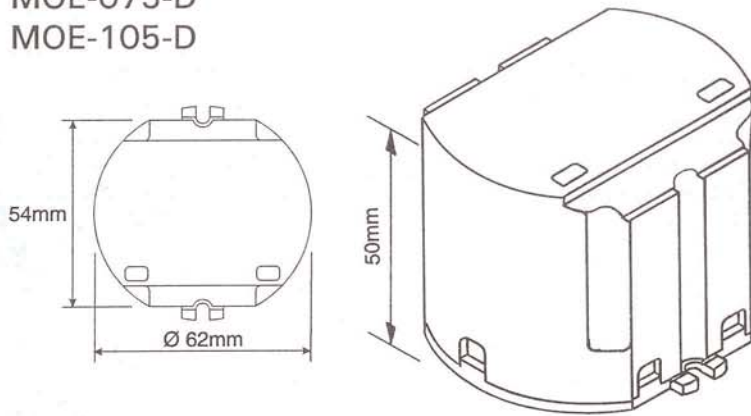
A superior range of Electronic Transformers for Luminaire Manufacturers

- * Voltage regulation, from 20W to 105W.
- * Self resetting, short circuit and overload protection.
- * Approved to R.F.I. Standard EN 55014/15.
- * Energy efficient, ensures cool operating temperature.
- * Approved to Safety Standard IEC 1046.
- * Low audible noise throughout the dimming range.
- * Lightweight and compact size, only 240 grammes.
- * Mode products are guaranteed for two years.

MODE LIGHTING (UK) LIMITED
CHELSING LODGE, TONWELL, WARE, HERTFORDSHIRE, ENGLAND.
Telephone: +44 (0)920 462121 Fax: +44 (0)920 466882

MODE
LIGHTING (UK)

MOE-075-D
MOE-105-D



Dimming

This **DIMMABLE** electronic transformer, complete with fitted cables, is unique for its size and versatility. It is designed to provide smooth and stable dimming with all **domestic and hard fired dimmers**.

Lamp Loading

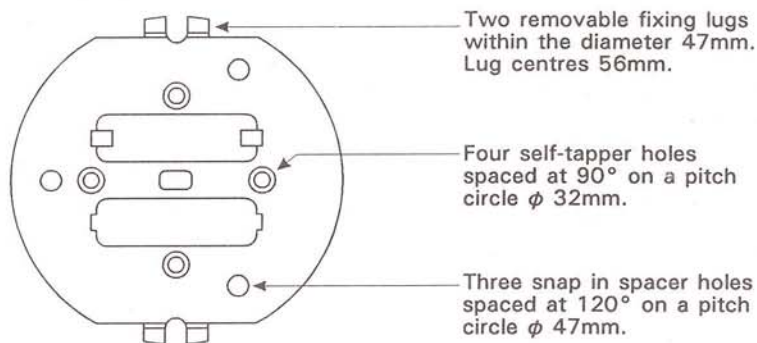
Designed for use with one lamp per unit being:-

MOE-075-D 20W (min), 35W, 42W, 50W, 75W (max)

MOE-105-D 20W (min), 35W, 42W, 50W, 75W, 105W (max)

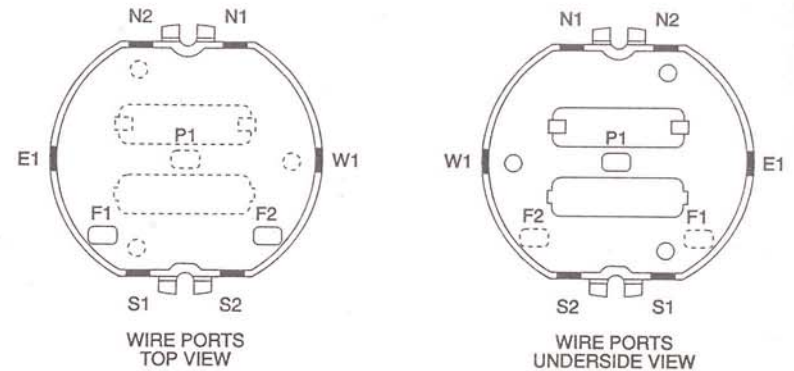
Also suitable for use with multiple lamps from a minimum of 20W to a maximum of 75W for MOE-075-D and 105W for MOE-105-D.

Fixing Points



MODE
LIGHTING (UK)

Connections



- Input**
- (i) Live and neutral input wires (Brown/Blue), with cable restraint, standard length 150mm x 0.75mm², may exit the unit from ports N1, N2, S1, S2, F1, F2.
 - (ii) A two core mains cable with outer sleeve, with cable restraint may exit the unit from ports N1, N2, S1, S2, F1, F2.
- Output**
- (i) The two low voltage output wires (White), standard length 350mm x 1.0mm², may exit the unit from ports N1, N2, E1, W1, P1.
 - (ii) A ceramic lamp holder prewired with P.T.F.E. leads can be fitted on production and may exit from ports N1, N2, E1, W1, P1.

Self-Dimmable

Also available with two additional wires (Black), standard length 150mm nominal x 0.75mm² from any wire port, for connection of a 2M2 Ω potentiometer. This will then enable the transformer to be independently self-dimmable.

Luminaire Approval

This transformer is designed for use only within or on **approved enclosures or luminaires**. We have available a free service for advice on the installation and life testing of luminaires fitted with MOE-075 or MOE-105 transformers.