

DALI Broadcast Module



The DALI Broadcast Module is a compact DIN rail mounted unit with eight independent low voltage outputs each controlling up to thirty two DALI devices.

DALI device addressing is not required in Broadcast mode, therefore commissioning can be simpler and more cost effective. Maintenance costs are greatly reduced using DALI Broadcast as drivers or ballasts are simply replaced with no computer intervention, unlike “Individual” and “Group” DALI where detailed knowledge of DALI programming is required to replace devices.

The DALI Broadcast Module is connected to other eDIN+ devices in a system by the M-BUS network connection. The system is driven by the Network Processor (DIN-NPU-00-01-PLUS) which is programmed via a web browser. Alternatively for small systems with up to eight circuits the DALI Broadcast Module can be used with a control plate in “standalone mode” without the need for a Network Processor. In this case set up is directly via the DIN-DBM’s onboard keypad and the control plate with no computer required (white fixtures only).

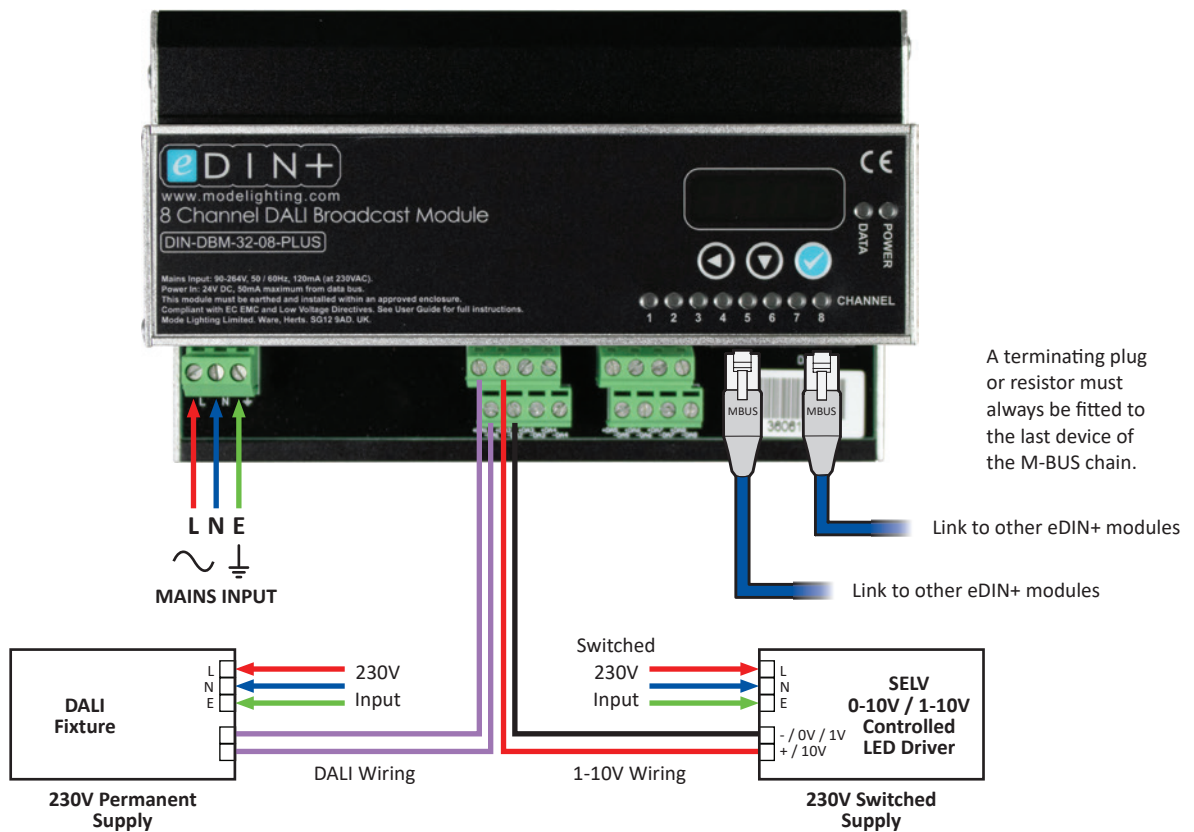


Key Features

- » Eight channels of DALI Broadcast control.
- » Up to 32 DALI devices per channel.
- » Alternative 1-10V or DSI control selectable.
- » Integral DALI Power Supply.
- » Fault report monitoring supported on each channel.
- » Colour and tunable white control or DALI Broadcast channel control.
- » Type-8 colour tunable control selectable on each channel.
- » Custom tunable white control using 2 or 4 channel drivers.
- » RGBW colour control using 4 channel drivers.
- » Eight channel intelligent standalone feature.
- » Connection via M-BUS to other eDIN+ system devices, Multi Sensors and Control Plates.
- » Compact 9M width DIN rail mounting module.
- » 2 year warranty.



System Architecture



A terminating plug or resistor must always be fitted to the last device of the M-BUS chain.

Link to other eDIN+ modules

Link to other eDIN+ modules

Technical Data

Power	
Mains Supply	<ul style="list-style-type: none"> » 230V AC +/- 10% 50/60Hz, single phase » Locally isolated via 2A MCB maximum
Connections & Cable Specifications	
Control Input	» M-BUS
M-BUS Current Consumption	» 50mA
Output Control Type	<ul style="list-style-type: none"> » 8 channels, individually configurable for: : 1-10V output : DALI Broadcast output - maximum 32 devices per output : DALI Type-8 : DALI tunable multichannel
Mechanical	
Material	» Extruded aluminium case
Standards	» EN55015, EN61547, EN61000-3-2, EN61000-3-3, EN60669-2-1
Dimensions	» 100mm High x 156mm Wide x 64mm Deep
Weight	» 0.61kgs
Module Size for DIN Enclosure	» 9 Module (9M)

Note

For additional technical information refer to Installation Guide DIN-DBM-32-08-PLUS.

Installation should be in accordance with the relevant National Wiring Regulations and other applicable Regulations. Compliance to EC EMC and Low Voltage Directives may be invalidated if not used or installed according to the published specification. DIN-DBM-32-08-PLUS should be located in well ventilated areas and should not be covered or enclosed by insulating materials. Mode reserve the right to amend the product specification or design at any time and without notice.



Mode Lighting Limited. The Maltings, 63 High Street, Ware, Hertfordshire, SG12 9AD. United Kingdom.
 Tel: +44 (0) 1920 462121 | Fax: +44 (0) 1920 466881 | Email: sales@modelighting.com | www.modelighting.com