

Occupancy Sensors **Networked** : Dimming



Energy Saving and Commercial Lighting Controls

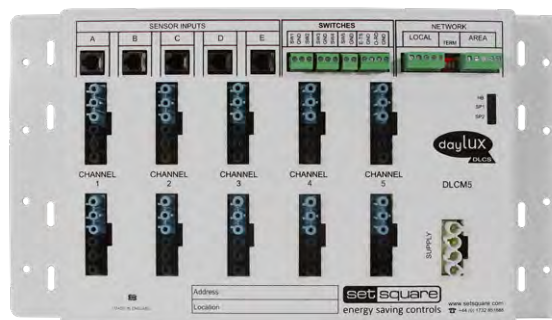
DAYLUX DLCS: CONTROLLERS & SOFTWARE

The Daylux Lighting Control System (DLCS) is intelligent, efficient, cost effective and installer friendly, from a stand-alone single room solution to a fully networking lighting control and management system, the DLCS provides flexibility to meet the changing needs of the building's occupants, including additions and changes in use.

SET-DLCM3 & SET-DLCM5

The DLCM3 and DLCM5 are ten way pluggable Lighting Control Modules (LCM) programmed by front end software as part of the Daylux Lighting Control System.

- ▶ 10 way pluggable and networked addressable LCM.
- ▶ Switched and dimmable DALI broadcast, DSI, 1-10.
- ▶ 3 or 5 independent channels (4, 4, 2).
- ▶ 5 x RJ12 sensor inputs.
- ▶ 5 x dry contact closure switch inputs.
- ▶ 2 x RS485 network ports.
- ▶ Emergency light test facility.
- ▶ Alarm override switch input.
- ▶ LED operation indicators.



SET-DDC1, SET-DDC2 & SET-DDC4

The SET-DDC1/2/4 are hard wired Lighting Control Modules (LCM) programmed by front end software as part of the Daylux Lighting Control System.

- ▶ Hard wired network addressable dimming controller.
- ▶ 4 x channel DALI broadcast, up to 256 DALI devices.
- ▶ 4 x 16 A emergency test relay.
- ▶ 4 x sensor ports. Each having a maximum of 10 sensors, including a maximum of 1 light level sensor.
- ▶ 10 x dry contact programmable inputs.
- ▶ LCD display for stand-alone programming.



SET-DAC

An Area Controller is used when central control over multiple floors is required or if a single system exceeds 127 LCM's.

- ▶ Network addressable Area Controller.
- ▶ 4 x RS485 network ports.
- ▶ Each network port supports 127 Daylux devices (508 per DAC).
- ▶ Scalable to 65,000 Daylux devices.
- ▶ Enables central manual or automatic control of building.
- ▶ Allows connection of multiple floors (trunk and spur topology).
- ▶ 5 x dry contact programmable inputs.
- ▶ LCD Display.
- ▶ Real time clock.
- ▶ Calendar based timed events and scheduling.



SET-D4TP100-MC

Data cable for connecting Setsquare LCM's or DDC's together.

- ▶ Two twisted pairs.
- ▶ An overall aluminium foil shielded 440V RMS.
- ▶ Inner shield drain wire
- ▶ Overall nominal diameter- 4.1 mm.
- ▶ Mains containment rated, suitable to run alongside 600v.
- ▶ White LSHF (Low Smoke Halogen Free) outer sheath.
- ▶ 100m reel.



SET-DPCS

Daylux PC Software to commission the Daylux Lighting Control system.

- ▶ Windows based commissioning software.
- ▶ Includes USB interface for connection of PC to the Daylux system.
- ▶ Device configuration and programming.
- ▶ Time clock scheduling.
- ▶ System monitoring, reporting and activity history.
- ▶ System back up and restore.



DAYLUX DLCS: SENSORS

SET-PDOCH & SET-PDOCH-RJ

A discrete low profile recessed, ceiling mounted PIR sensor.

- ▶ Occupancy sensor.
- ▶ Low Voltage SELV.
- ▶ Linkable - connect multiple sensors together for greater coverage.
- ▶ Super sensitive - dual pyro element detection.
- ▶ Easy mounting in plasterboard ceilings for fibre ceiling tiles.
- ▶ Multi-facet fresnel lens.



SET-SCM-20

A microwave sensor with occupancy and light level detection.

- ▶ Microwave sensor.
- ▶ Volt free or 230V switching.
- ▶ 20 metre range.
- ▶ Wall or ceiling mount variants.
- ▶ Linkable - connect multiple sensors together for greater coverage.
- ▶ Super sensitive - adjustable range.
- ▶ Built-in light level sensor.
- ▶ Infrared remote control set up (SET-IRT5).
- ▶ IP rated version available.



SET-ALD5 & SET-ALD5-RJ

A discrete low profile ceiling mounted light level sensor.

- ▶ Light level sensor.
- ▶ Low Voltage SELV.
- ▶ Dynamic analogue light level sensing.
- ▶ Easy mounting in plasterboard ceilings for fibre ceiling tiles.
- ▶ Multi-facet fresnel lens.
- ▶ 1.5m lead attached.



SET-MLMW

A presence detector with occupancy and light level detection.

- ▶ PIR presence detector.
- ▶ 12V linkable system sensor.
- ▶ 12 metre range.
- ▶ Wall or ceiling mount variants.
- ▶ Linkable - connect multiple sensors together for greater coverage.
- ▶ Built-in light level sensor.



SET-DOL & SET-DOL-RJ

A discrete low profile ceiling mounted occupancy and light sensor.

- ▶ Occupancy sensor.
- ▶ Light level sensor.
- ▶ Low Voltage SELV.
- ▶ Dynamic analogue light level sensing.
- ▶ Easy mounting in plasterboard ceilings or fibre ceiling tiles.
- ▶ Multi-facet fresnel lens.
- ▶ Surface mounting kit available (SET-PSB).
- ▶ Super sensitive - dual pyro element.



SET-PSB

The SET-PSB is a single gang back box which allows the InfraPOD sensors to be surface mounted.

- ▶ Surface mount adaptor for SET-PDOCH, SET-DOL and SET-ALD5.
- ▶ Standard single gang surface mount.



The SET-PDOCH, SET-ALD5 and SET-DOL come with a 1.5m cable attached and connects to hard wired DDC units.

The SET-PDOCH-RJ, SET-ALD5-RJ and SET-DOL-RJ come with a 5 metre pluggable patch lead for connecting to pluggable SET-DLCM units.

DAYLUX DLCS: CONTROL PLATE

SET-DFPN

The SET-DFPN is a range of scene setting control plates.

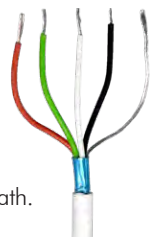
- ▶ Single gang plate.
- ▶ Scene setting capability.
- ▶ Seven backlit push buttons.
- ▶ Compatible with the Daylux DLCS system.
- ▶ Fits UK standard backbox.
- ▶ Brushed Stainless Steel or White finish.



SET-D4SC100-MR-7-W

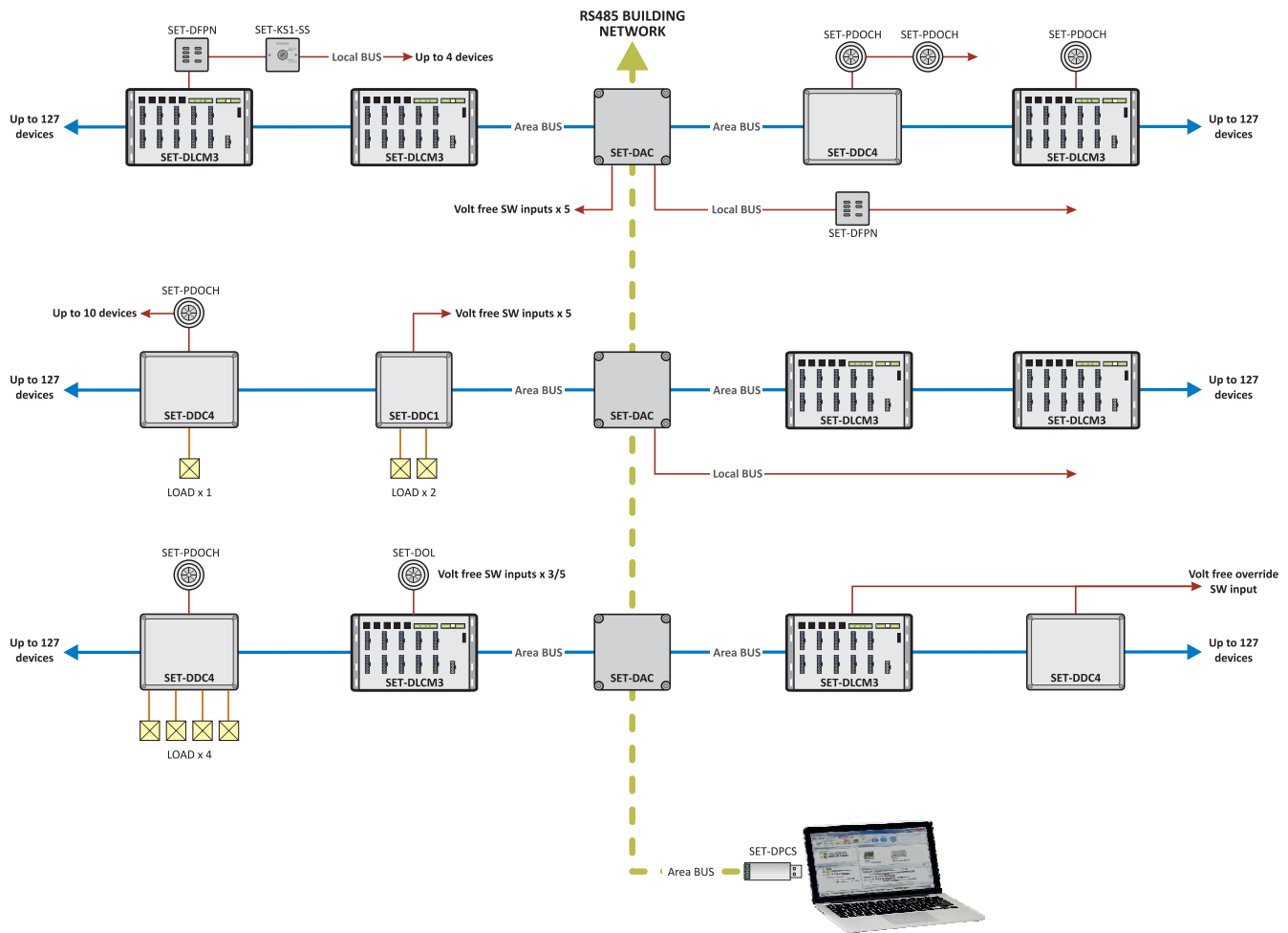
Cable for connecting Setsquare sensors to the LCM or DDC.

- ▶ 4-Core cable.
- ▶ An overall aluminium foil shielded.
- ▶ Inner shield drain wire.
- ▶ Overall nominal diameter- 4.1mm.
- ▶ Mains containment rated, suitable to run alongside 600v.
- ▶ White LSHF (Low Smoke Halogen Free) outer sheath. 100m reel.



Energy Saving and Commercial Lighting Controls

DAYLUX DLCS: ARCHITECTURE EXAMPLE



Setsquare's range of energy saving and commercial lighting control products and services includes:

LITEminder



Stand-alone Switching

SensorLite



Stand-alone Dimming

infrapod



Networked Switching

dayLUX
DLCS



Networked Dimming

MODE
LIGHTING

Mode Lighting Limited, The Maltings, 63 High Street,
Ware, Hertfordshire, SG12 9AD, United Kingdom

T +44 (0) 1920 462121 F +44 (0) 1920 466881

E sales@modelighting.com www.modelighting.com

set square
energy saving controls