

# SET-LL602

## Light Level Sensor

**set square**  
energy saving controls



### Key Features

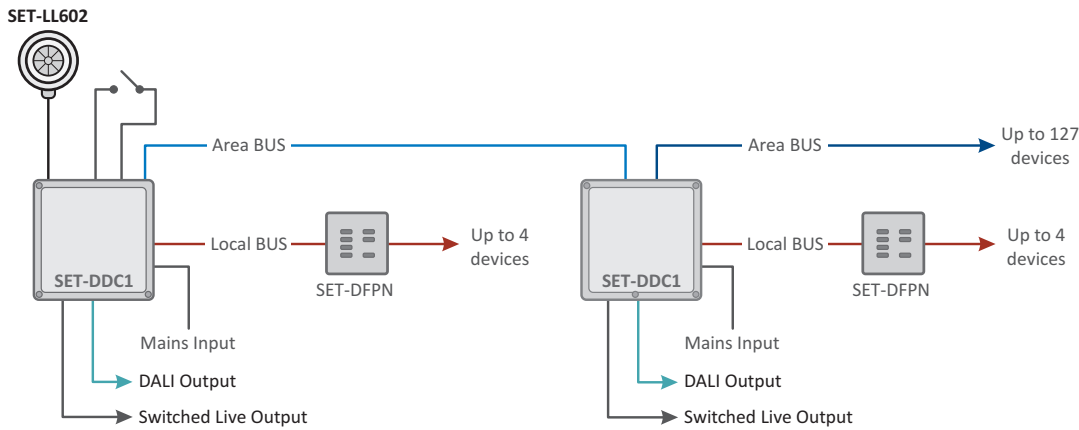
- » Dynamic analogue light level sensing.
- » Robust Casing for external use.
- » Low Voltage SELV.
- » 0-10v DC output equating to four selectable lux ranges.
- » Available for 12v or 24v systems.
- » IP65 rated.
- » Mode Lighting products are guaranteed for two years.

The SET-LL602 is an externally mounted light sensor housed in a robust plastic casing with an IP65 ingress protection rating. A Setsquare Lighting Control System provides 12v to the sensor and it in return provides an analogue DC signal back which is in proportion to the light level. The Lighting Control system uses this information to dim or switch the relevant lighting. Four lux level ranges ensures a wide range of light levels can be set. The maximum light level for each range is set by a DIP switch within the unit. There is also a DIP switch to slow the response time of the sensor. The sensor can be used in many of Mode's lighting control systems including the Setsquare and eDIN systems.

infrapod

daylux

### System Architecture



### Installation Diagrams

Figure 1. Internal Setup.

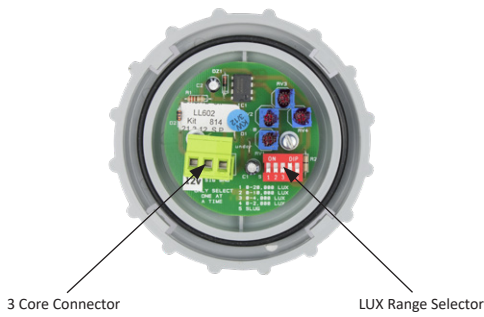
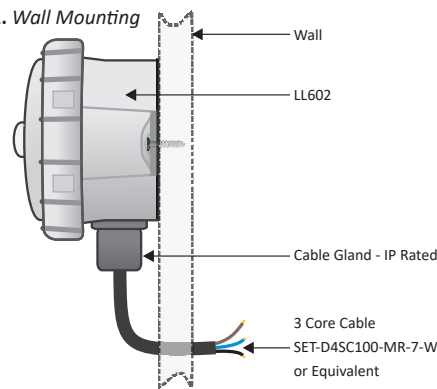


Figure 2. Wall Mounting



### Technical Data

Inputs	
Voltage Supply	» 12v DC
Current Consumption	» 1mA
Connection	» via IP rated cable gland
Light Level Sensor	
Type	» Photo Diode
Load	» 4K7 Ohms Minimum
Output	» 0-10v DC
Lux Level	» 0-2000 Lux, 0-4000 Lux, 0-10,000 Lux, 0-20,000 Lux selectable
Mechanical	
Dimensions	» Diameter=90mm, Height =60mm
Material	» Grey Polycarbonate
Weight	» 42g
Operating temperature	» 0-40°C
IP rating	» IP 65
Mechanical Fixing	» External Wall Mounting
Product Codes	
SET-LL602	» 12v supply required
SET-LL600	» 24v supply required

### Works With

Product Codes	Description
<b>DAYLUX Lighting Control System</b>	
SET-DDC1	» Hard Wired Lighting Control Module
SET-DDC2	» Hard Wired Lighting Control Module
SET-DDC4	» Hard Wired Lighting Control Module
<b>InfraPOD</b>	
SET-PODCU1	» Single Relay Controller
SET-PODCU2	» Dual Relay Controller

