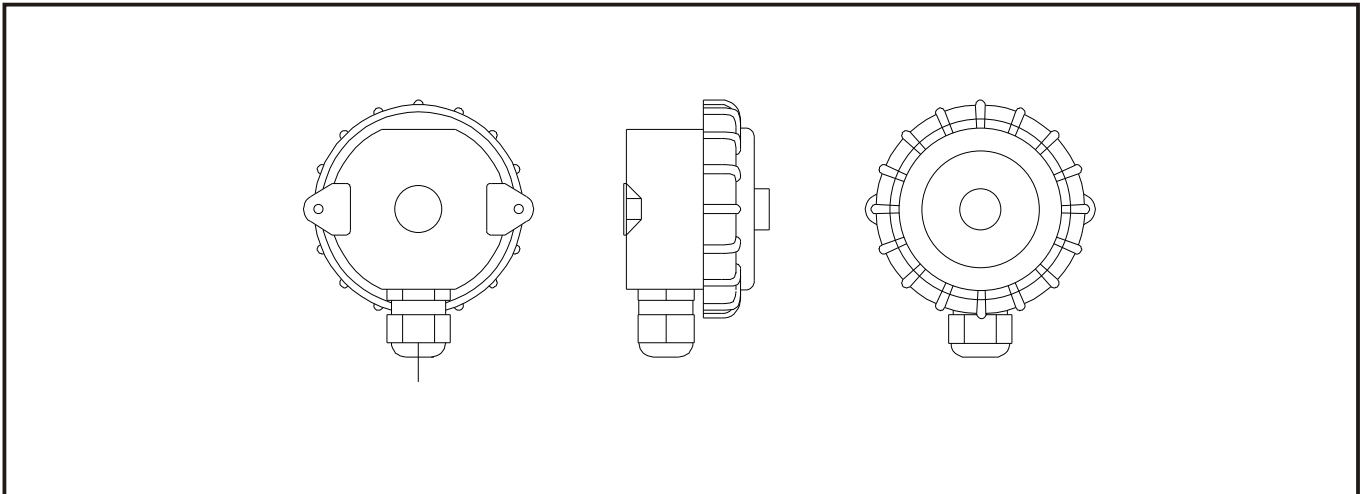


Installation Instructions



These instructions apply to the SET-LL602. Setsquare recommend all installations are carried out by a suitably qualified electrician and these instructions are followed. Failure to do so may lead to damage to either the circuits or installer.

Unit Description

The SET-LL602 is a photodiode based light level sensor mounted in a case protected to IP65. This sensor is intended for protected external use. The sensor has 4 ranges of output to allow for a wide range of light levels to be set. The maximum light level for each range is set by a DIP switch within the unit. There is a fifth switch which allows the units response time to be slowed if required.

Operation

The unit will provide a DC voltage proportional to the light level falling upon it. The sensor is intended to drive Setsquare controllers that can supply the necessary 12 volts supply. Set the DIP switches to the range of light levels required.

Location

The unit can be mounted in any suitable position, but it is best if it is shielded from water falling directly on to its face.

Electrical Connection

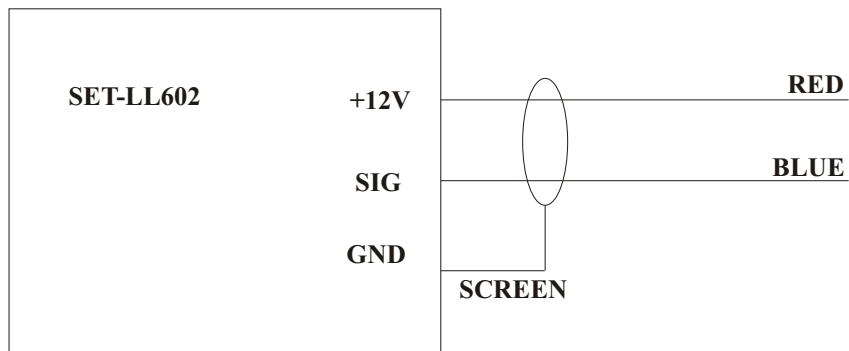
Important : Isolate supply before starting installation procedure.

1. Fix the sensor into position.
2. Connect the wiring as shown on the connection diagram. The connections should be made with two core cable with an overall screen.
3. It is essential if this unit is being used externally that the correct cable and glands are used to maintain the units sealing.

Fault Finding.

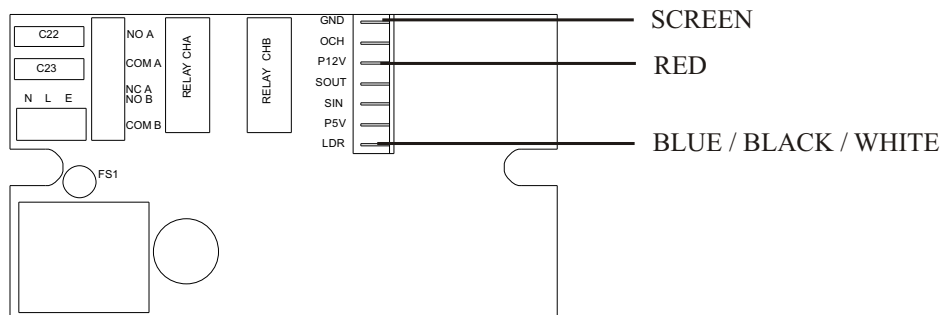
See installation instructions for the controller.

Wiring Diagram



Use of SET-LL602 with Setsquare InfraPod or SensaLux controllers

When used with the SensaLux controllers the red red wire goes to the P12V connection, the blue wire goes to the LDR connection, and the screen goes to the GND connection on the 7 way grey connector.



Specification

| | |
|----------------|--|
| Supply Voltage | 12 Volts D.C. |
| Output | 0 - 10 Volts D.C. |
| Ranges | 0 - 2,000 Lux (switch 4) 0 - 4,000 Lux (switch 3) 0 - 10,000 Lux (switch 2) 0 - 20,000 Lux (switch 1) |
| Order Code | SET-LL602 |

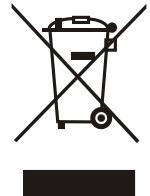
WARNING

This unit contains electronic devices.

Do not perform any high voltage tests on this product or to any equipment connected to this product.

Mains connections can be high voltage tested in accordance with BS 7671:2008, IEE Wiring Regulations 17th edition section 613.3.3.

Electrical and electronic equipment should never be disposed of with general household or commercial waste but collected for their proper treatment and recovery. The crossed out wheely bin symbol is to remind you of the need to dispose of this product at the end of its life in a way that will assist in the recovery, recycling and reuse of many of the materials used in this product. Where possible also recycle the packaging.



WEE/DJ0002ZR

The SET-LL602 is one of a range of energy conservation products available from Setsquare.

This apparatus may be turned on by high powered RF interference and should not be installed near pager aerials or inductive loop equipment. It will recover when the RF ceases.



For details of other products contact:-

Setsquare Energy Saving Controls
The Maltings
63 High Street
Ware
Hertfordshire
SG12 9AD
United Kingdom

Tel:- 01920 462121

Fax:- 01920 466881

E-Mail:-

sales@modelighting.com

WWW:- setsquare.com

REF:- SETLL602_3 03-09-2014
DS280-V1.0