

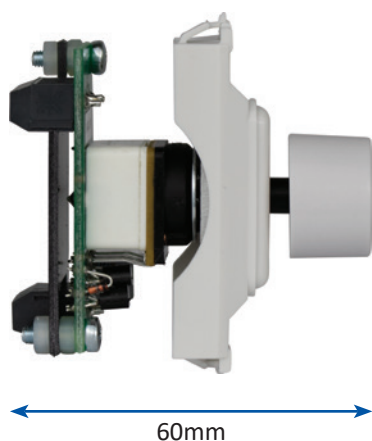
Remote Outstations



Key Features

- » Single channel rotary controller.
- » Controls 1-10V LED drivers, HF fluorescent ballasts and Mode Mirage slave power units.
- » MK grid format.
- » Complies with EC EMC and Low Voltage Directives (CE).
- » 2 year warranty.

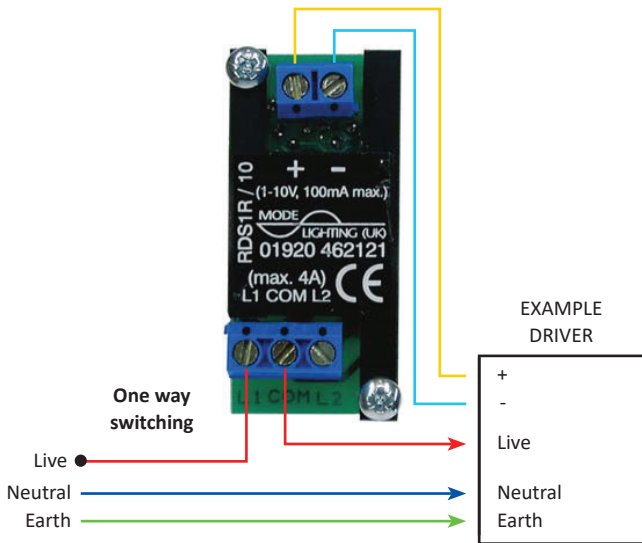
The RDS1R/10/GRID module is designed for the simple, reliable operation of 1-10V controllable loads, i.e. LED drivers, fluorescent ballasts, or Mode Mirage slave power units.



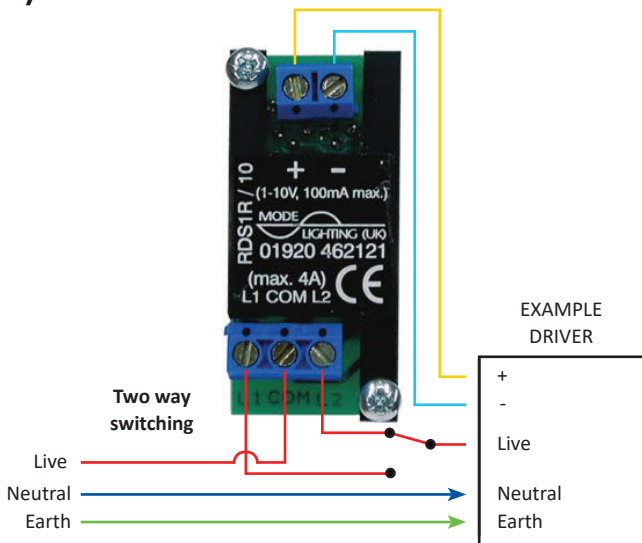
System Architecture

Fluorescent Control Wiring

1)

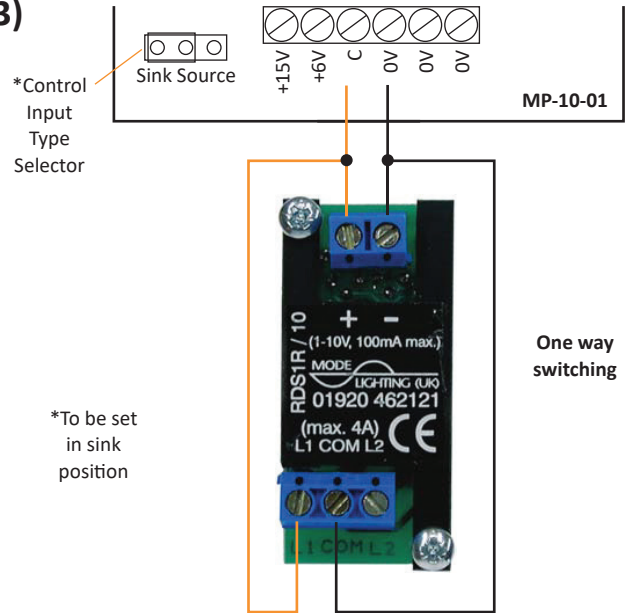


2)

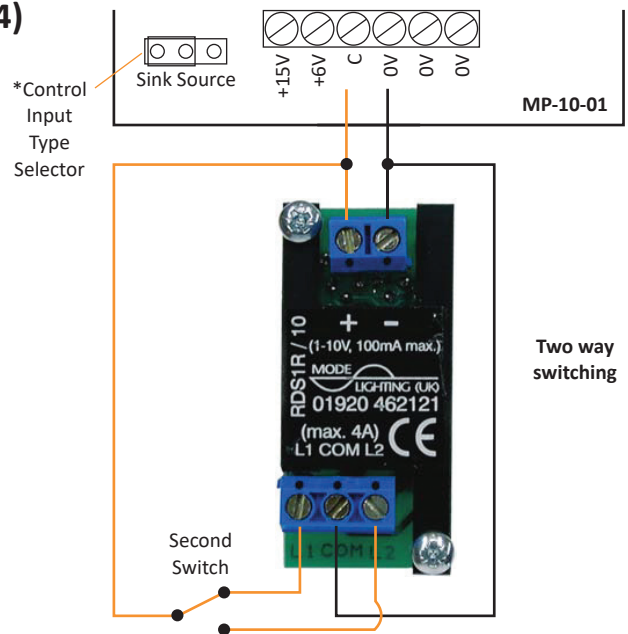


Dimmer Pack Low Voltage Control Wiring

3)



4)



Technical Data

Power	
Switch Rating	» 230V contacts, 4A resistive load, 2A inductive load, 1A LED load
Control	» Suitable for 1-10V DC sink controlled loads
Mechanical	
Dimensions	» 56mm High x 25mm Wide x 60mm Deep (Rear depth 40mm)
Finish	» White
Packed Size	» 80mm High x 110mm Wide x 101mm Deep
Packed Weight	» 0.8kgs

Note

For additional technical information refer to Installation Guide RDS1R/10/GRID.

Installation should be in accordance with the relevant National Wiring Regulations and other applicable Regulations. Compliance to EC EMC and Low Voltage Directives may be invalidated if not used or installed according to the published specification.

RDS1R/10/GRID should be located in well ventilated areas and should not be covered or enclosed by insulating materials.

Mode reserve the right to amend the product specification or design at any time and without notice.



Mode Lighting Limited. The Maltings, 63 High Street, Ware, Hertfordshire, SG12 9AD. United Kingdom.
 Tel: +44 (0) 1920 462121 | Fax: +44 (0) 1920 466881 | Email: sales@modelighting.com | www.modelighting.com