

**CONTENTS:**

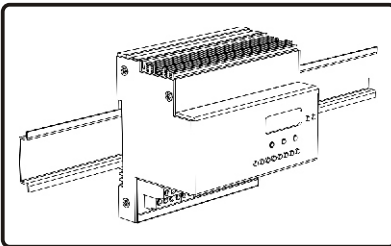
- Dali Broadcast Module
- 300mm Data-Bus Link Cable

# INSTALLATION GUIDE:

## Dali Broadcast Module DIN-DBM-32-08-PLUS

The Dali Broadcast module is a 6M sized DIN rail mounted unit which can be configured for up to 8 Dali Broadcast channels or 0-10V / 1-10V outputs.

### SPECIFICATION & MOUNTING

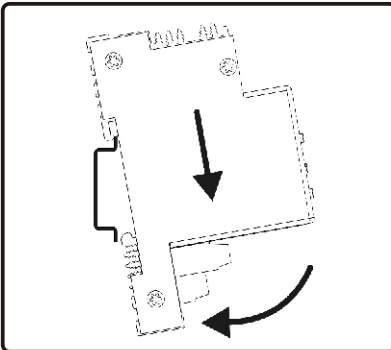


Modules must be installed within a suitable surface mount enclosure with integral DIN rail. Installation must be carried out by a qualified electrician in accordance with National Wiring Regulations and other applicable regulations. Compliance to EC EMC and Low Voltage Directives may be invalidated if not used or installed according to the published specification.

eDIN+ modules are designed to attach to a standard 35mm wide DIN rail (*EN 50022, BS 5584*). To install, simply hook the module from the top, push down and click into place (see diagram).

All eDIN+ modules must be earthed. Modules contain no user serviceable parts and should not be opened.

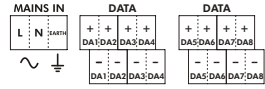
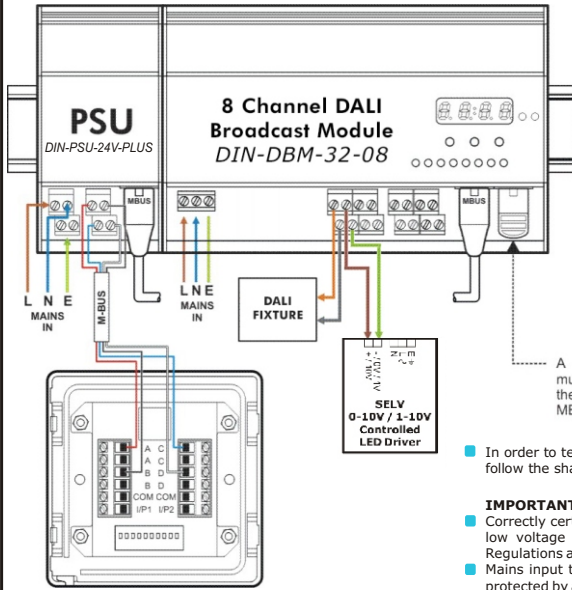
- Module Size:** 9M, L 106mm x W 100mm x H 64mm
- Mains Input:** 90-264V, 50 / 60Hz
- Power Input:** 24V, 50mA nominal
- Max. Wire Size:** 1.5mm<sup>2</sup>
- Control Input:** Mode M-BUS
- M-BUS Connection:** 2 x RJ-45 (in and out)
- ta Max:** 40°C
- tc Max:** 60°C
- Standards:** (CE EMC & LVD) EN55015, EN61547, EN61000-3-2, EN61000-3-3 & EN60669-2-1



- 0-10V / 1-10V /**
- DSI Outputs:** 100mA each max.
- Max. # DALI Ballasts:** 32 per channel
- DALI PSU:** 250 mA



# WIRING



## Terminal Configuration

A termination plug must always be fitted to the last module of the MBUS chain.

- In order to test an eDIN+ system once it has been wired together, follow the shaded instructions on the back page.

### IMPORTANT:

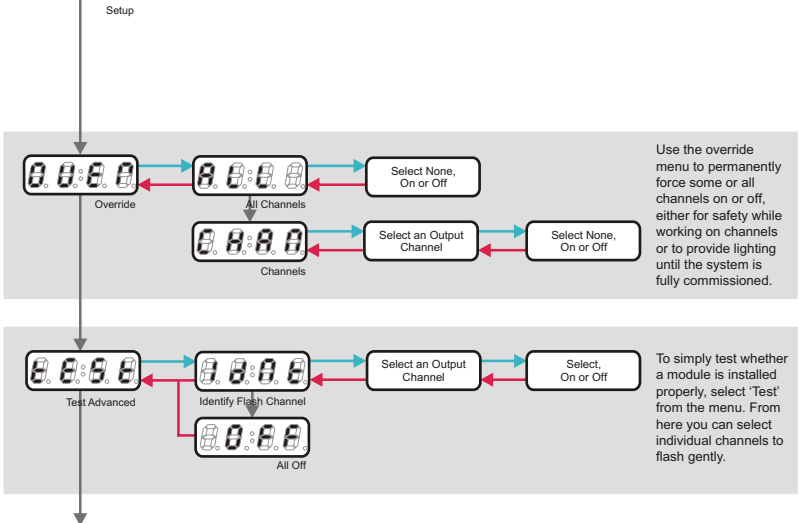
- Correctly certified cables must be used for all mains voltage and extra low voltage MBUS connections in accordance with National Wiring Regulations and other applicable regulations.
- Mains input to both Power Supply & DALI Broadcast module must be protected by a suitably rated MCB.

# ONBOARD SETUP: TESTING & OVERRIDE



Whilst a module is not showing a menu option, the module address is displayed on screen. However, if any of the following conditions are present, these will be displayed on screen instead:

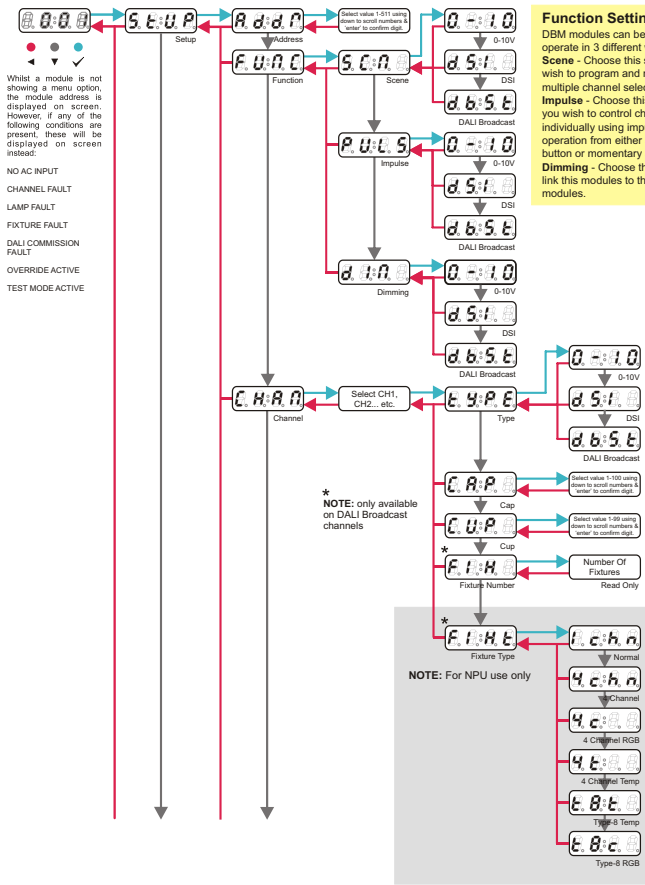
- NO AC INPUT
- CHANNEL FAULT
- LAMP FAULT
- FIXTURE FAULT
- DALI COMMISSION FAULT
- OVERRIDE ACTIVE
- TEST MODE ACTIVE



Use the override menu to permanently force some or all channels on or off, either for safety while working on channels or to provide lighting until the system is fully commissioned.

To simply test whether a module is installed properly, select 'Test' from the menu. From here you can select individual channels to flash gently.

# ONBOARD SETUP: I/O SETTINGS



Whilst a module is not showing a menu option, the module address is displayed on screen. However, if any of the following conditions are present, these will be displayed on screen instead:

- NO AC INPUT
- CHANNEL FAULT
- LAMP FAULT
- FIXTURE FAULT
- DALI COMMISSION FAULT
- OVERRIDE ACTIVE
- TEST MODE ACTIVE

### Function Settings

DBM modules can be set to operate in 3 different ways:

- Scene** - Choose this setting if you wish to program and recall multiple channel selections.
- Impulse** - Choose this setting if you wish to control channels 1 - 8 individually using impulse operation from either a plate button or momentary switch.
- Dimming** - Choose this setting to link this modules to the other modules.

### Channel Settings

DBM channels can be set to control 0-10V, DSI or DALI Broadcast fixtures on individual channels by selecting your channel and then selecting the type of fixture you would like to control. For your selected channel you can set the "CAP" or "CUP" level which is the maximum/minimum percentage the light will go to (Default is 100% for Cap and 1% for Cup). Below Cup is "FIX" which will display the number of fixtures installed on that channel. "FIXT" is for use in conjunction with our Network Processor Unit only and is not a standalone function.

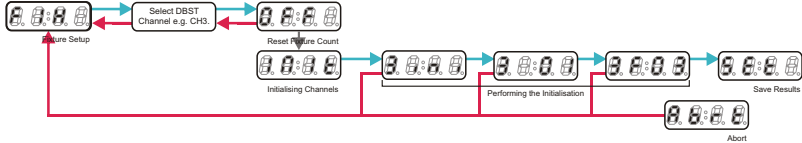
**NOTE:** Cap cannot be set below the current Cup level and conversely the Cup level cannot be set above the current Cap level.

# DALI FIXTURE SETUP

Fixture setup is only required on DALI Broadcast channels.

- You MUST initialise every DBST channel that is set to any 4 channel fixture type.
- You MUST initialise every DBST channel of any type if you want the module to check and report LAMP FAULTS and MISSING FIXTURES.
- After you have initialised a DBST channel you can disable LAMP FAULTS and MISSING FIXTURES reporting by setting the channel 'OFF'.

## Find Fixtures and turn on Fixture Status Reporting



From the 'SETUP-FIX' menu, select the DALI Broadcast channel then select 'INIT'. The module will display 'ini' and start 'rippling', and begin searching for fixtures on that channel. The left-most digit of the display shows the channel number. The 2 right-most digits show the number of fixtures found so far. When all fixtures have been found the display will stop 'rippling' and display 'FXX', where 'XX' is the total number of fixtures found. Press ✓ to accept this search or ← at any time to abort the search.

## Turn off Fixture Status Reporting (optional)



For any type of fixture, you can stop the module detecting fixture problems. Stop detection from the 'SETUP-FIX' menu then select the DALI Broadcast channel, then select 'OFF'.

To turn detection back on, perform Step 1.

# ONBOARD SETUP: DIAGNOSTICS

