

# EVO-CAB-00-04 Mode M-BUS Cable



### Key Features

- » Designed for Mode Lighting Control Systems.
- » Stranded tinned copper conductors.
- » 1 x power pair 2 x 16 awg (0.74mm<sup>2</sup> CSA).
- » 1 x data pair 2 x 24 awg (0.5mm<sup>2</sup> CSA).
- » Power cores = Low Smoke Zero Halogen.
- » Data pair = Foam polyethylene.
- » Power cores = Red, Black - Twisted Pair.
- » Data pair = White, Blue - Twisted Pair (screened).
- » Available in various lengths.
- » 2 year warranty.

To ensure a robust and reliable installation of Mode Lighting products, we recommend the use of dedicated data cable designed specifically for Mode products.

An M-BUS data network should be no more than 1000m in length. Larger networks can be created using M-BUS extenders. Please contact Mode Lighting for full details.

The Mode EVO-CAB-00-04 utilises a durable but thin jacket to allow for easy routing with colour coded cores to help simplify installation.

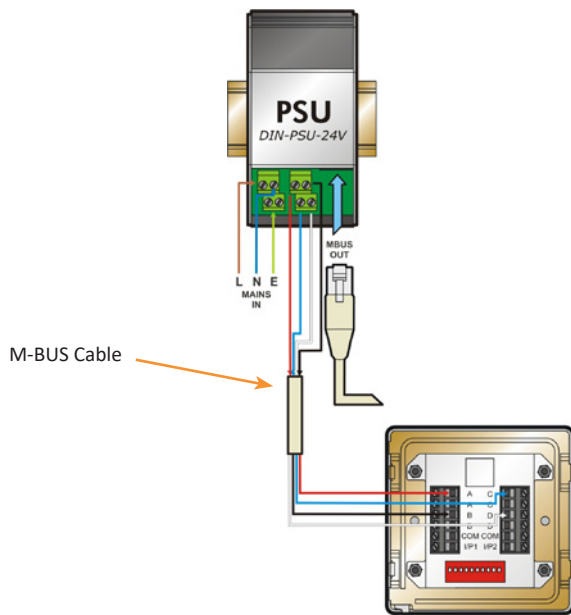


Part Number	Length	Jacket Material
EVO-CAB-05-04	5m	PVC
EVO-CAB-10-04	10m	PVC
EVO-CAB-20-04	20m	PVC
EVO-CAB-50-04	50m	PVC
EVO-CAB-100-04-D	100m	PVC
EVO-CAB-305-04-D	305m	PVC
EVO-CAB-100-04-D-LSZH	100m	Low Smoke Zero Halogen
EVO-CAB-200-04-D-LSZH	200m	Low Smoke Zero Halogen
EVO-CAB-05-04-SWA	5m	Steel Wire Armoured
EVO-CAB-305-04-D-SWA	305m	Steel Wire Armoured



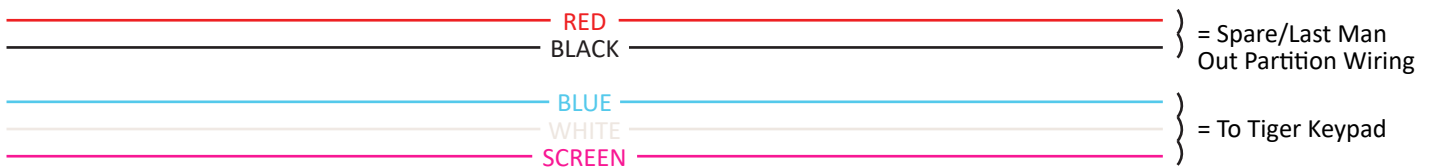
## System Architecture - Example

### eDIN+ Connections from PSU

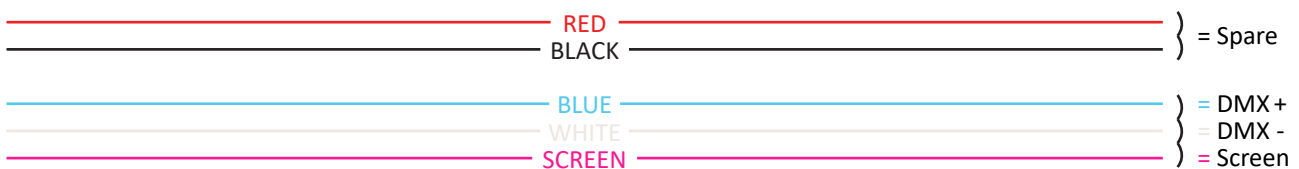


The M-BUS Cable may also be used other applications/separate systems including the Mode Tiger systems and DMX wiring.

#### - Tiger Systems



#### - DMX Devices



Installation should be in accordance with the relevant National Wiring Regulations and other applicable Regulations. Compliance to EC EMC and Low Voltage Directives may be invalidated if not used or installed according to the published specification.

Mode reserve the right to amend the product specification or design at any time and without notice.



Mode Lighting Limited. The Maltings, 63 High Street, Ware, Hertfordshire, SG12 9AD. United Kingdom.  
 Tel: +44 (0) 1920 462121 | Fax: +44 (0) 1920 466881 | Email: sales@modelightning.com | www.modelightning.com