

# SET-DFPN

## Scene Set Plate

**set square**  
energy saving controls



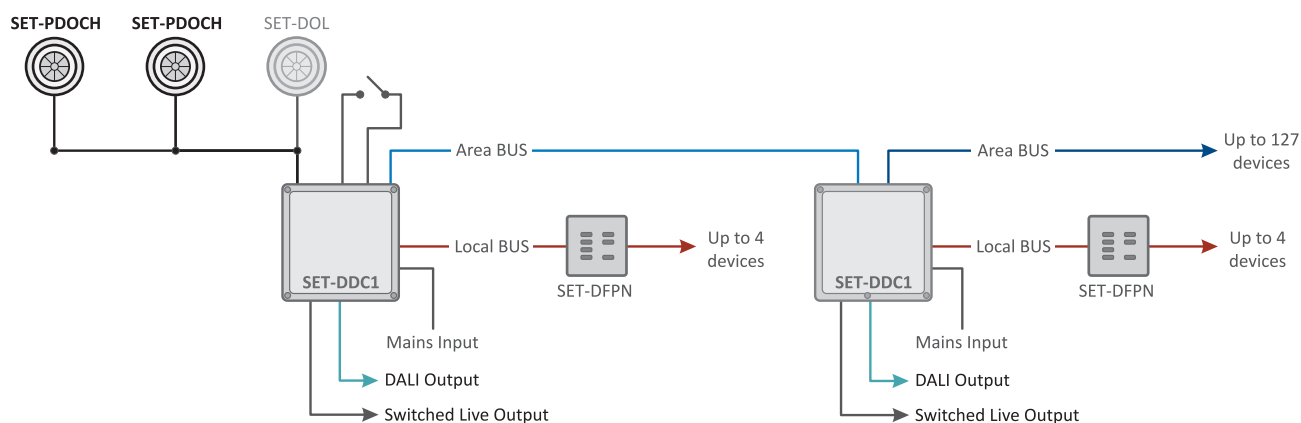
### Key Features

- » Single Gang plate.
- » Scene setting capability.
- » Seven backlit push buttons.
- » Compatible with Daylux DLCS system.
- » Daylux DLCS local area connections.
- » Fits UK standard backbox.
- » Programmable using the DLCS commissioning software.
- » Mode Lighting products are guaranteed for two years.

The SET-DFPN is a range of scene setting control plates specifically used for the DAYLUX Lighting Control system. Designed to fit a standard single gang wall box the control plate has seven backlit buttons. Buttons for four programmable scene selections, up, down and on/off.



## System Architecture



## Technical Data

Inputs	
Voltage Supply	» 12v DC (supplied from Local Bus)
Current Consumption	» 16mA
Connection	» Screw terminal (Local bus in and out)
Buttons	» Seven buttons with back lighting
Mechanical	
Installation	» Requires installation into a standard single gang wall box
Dimensions	» L=86mm x W=86mm x D=16mm
Finish	» PW = White » SS = Brushed Stainless Steel
Weight	» 108g
Operating temperature	» 0-40°C
IP rating	» IP 40
Product Codes	
SET-DFPN7SS	» 7 button - Brushed Stainless Steel finish
SET-DFPN7PW	» 7 button - White finish
SET-DFPN3SS	» 3 button - Brushed Stainless Steel finish
SET-DFPN3PW	» 3 button - White finish

## Works With

Product Codes	Description
SET-DLCM3	» Pluggable Lighting Control Module
SET-DLCM5	» Pluggable Lighting Control Module
SET-DDC1	» Hard Wired Lighting Control Module
SET-DDC2	» Hard Wired Lighting Control Module
SET-DDC4	» Hard Wired Lighting Control Module
SET-DAC	» Area Controller

## Plate Finishes Available



BSS - Brushed Stainless Steel



WHI - White



Mode Lighting Limited. The Maltings, 63 High Street, Ware, Hertfordshire, SG12 9AD. United Kingdom.

Tel: +44 (0) 1920 462121 | Fax: +44 (0) 1920 466881 | Email: sales@modellighting.com | www.modellighting.com