

SET-DOL Multi Sensor

set square
energy saving controls



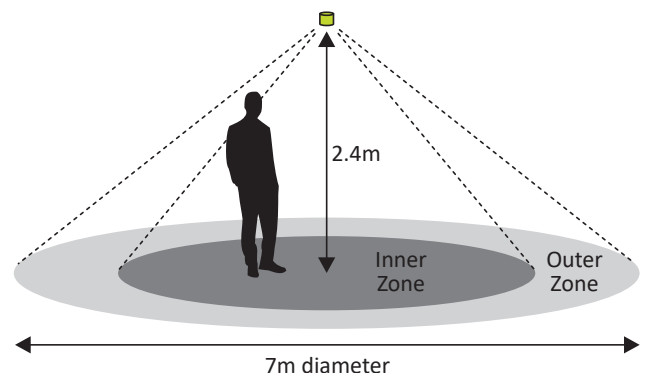
The SET-DOL is a discrete low profile, ceiling mounted Multi Sensor which combines a PIR occupancy sensor and an analogue light sensor. The occupancy sensor provides a contact signal back to the Lighting Control System when movement is detected and the light level sensor reports dynamically on the current light level. The sensor can be used in many of Mode's lighting control systems including the Setsquare and eDIN systems.

Key Features

- » Combined occupancy and light level sensor.
- » Compact and discreet form factor.
- » Low Voltage SELV.
- » Linkable - connect multiple sensors together for greater coverage.
- » Dynamic analogue light level sensing
- » Super sensitive - dual pyro element detection.
- » Easy mounting in plasterboard ceilings or fibre ceiling tiles.
- » Multi-facet fresnel lens.
- » IP64 rated version for use within bathrooms.
- » Surface mounting kit available (SET-PSB)
- » Mode Lighting products are guaranteed for two years.

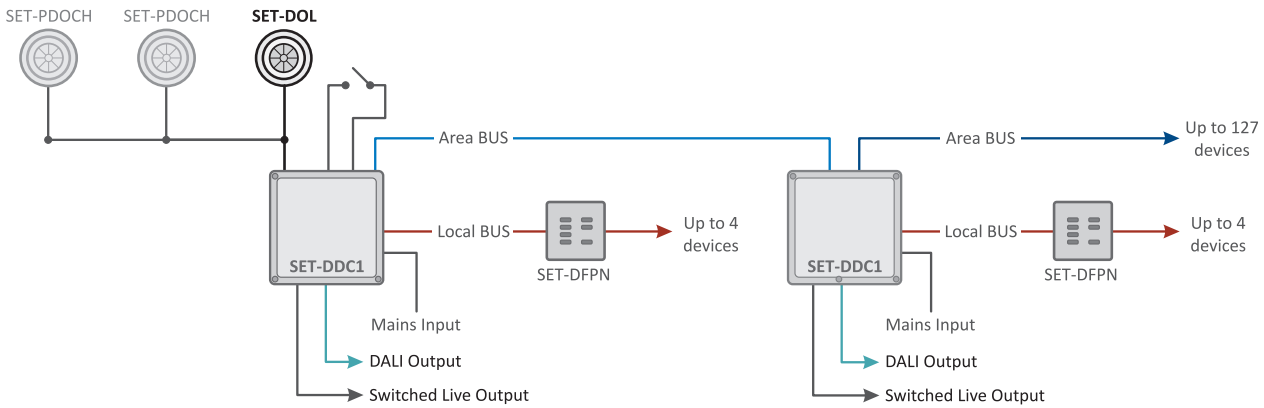
infrapod

dayLUX



**MADE IN
BRITAIN**

System Architecture



Installation Diagrams

Figure 1. Rear Mounting.

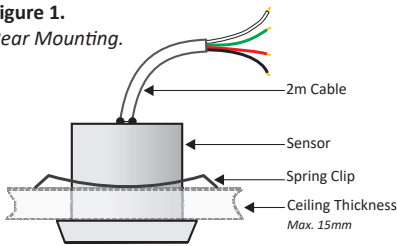


Figure 2. Wiring

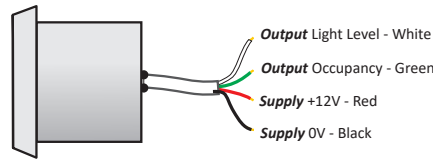
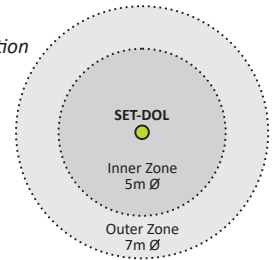


Figure 3. PIR Detection Coverage



Technical Data

Inputs	
Voltage Supply	» 12v DC (Supplied by controller/LCM)
Current Consumption	» 1mA
Connection	» 2 metre screened lead (White).
Movement Sensor	
Type	» Passive Infra Red
Movement Sensor Type	» Dual pyro element
Field of View	» 360°
Coverage	» Diameter = 2.7 x Ceiling Height (m)
Output	» Open Collector
Light Level Sensor	
Type	» Photo Diode
Load	» 4K7 Ohms Minimum
Output	» 0-10v DC
Lux Level	» 0-300 Lux
Mechanical	
Dimensions	» L=45mm x W=45mm x D=35mm
Material	» White Polycarbonate
Weight	» 44g
Operating temperature	» 0-40°C
IP rating	» IP 50
Installation hole	» 38mm
Mechanical Fixing	» Metal spring clip
Product Codes	
SET-DOL	» Standard - For ceiling tile mount
SET-DOL-S	» IP rated (IP 64)
SET-DOL-FF	» Front Fit - For fixed ceilings

Works With

Product Codes	Description
DAYLUX Lighting Control System	
SET-DDC1	» Hard Wired Lighting Control Module
SET-DDC2	» Hard Wired Lighting Control Module
SET-DDC4	» Hard Wired Lighting Control Module
SET-PSB	» Surface Mount Kit
SET-FF	» Front Fit Kit
InfraPOD	
SET-PODCU1	» Single Relay Controller
SET-PODCU2	» Dual Relay Controller



Mode Lighting Limited. The Maltings, 63 High Street, Ware, Hertfordshire, SG12 9AD. United Kingdom.
 Tel: +44 (0) 1920 462121 | Fax: +44 (0) 1920 466881 | Email: sales@modellighting.com | www.modellighting.com