

# SET-MLMW Occupancy Sensor

**set square**  
energy saving controls



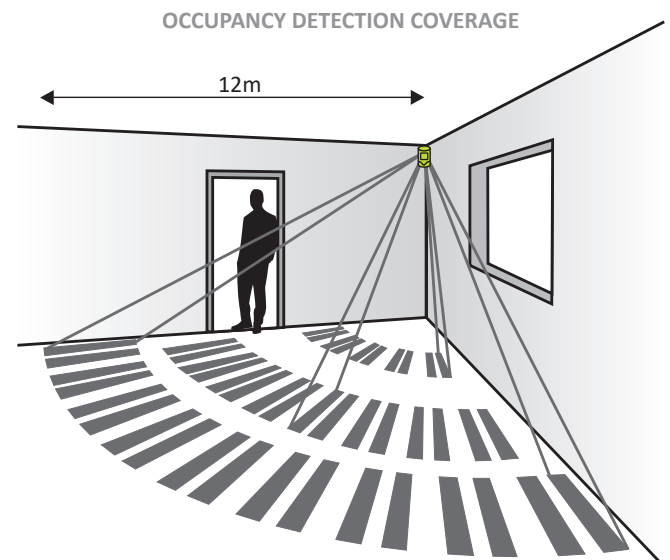
## Key Features

- » PIR presence detector.
- » 12V linkable system sensor.
- » 12 Metre range.
- » Wall or Ceiling mount variants.
- » Linkable - connect multiple sensors together for greater coverage.
- » Built-in Light Level sensor.
- » Mode Lighting products are guaranteed for two years.

The SET-MLMW is a presence detector designed for corridors or larger areas and operates by sensing movement of infra red radiation from a human body. With occupancy and light level detection incorporated into the unit, it's relay output provides a signal to a lighting control system. The unit can be ordered with a ceiling or wall mounting bracket, both are adjustable to allow the correct coverage.

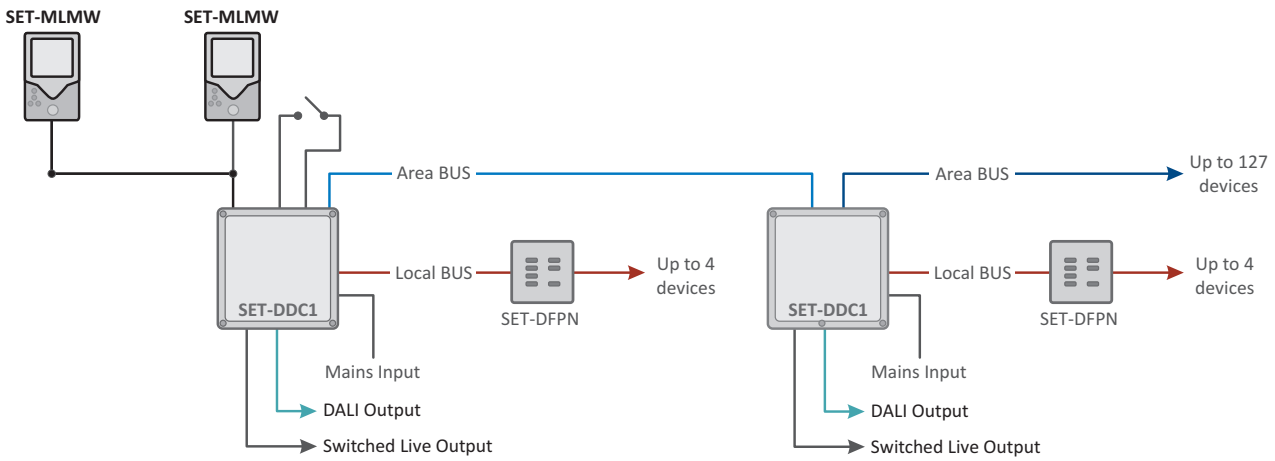
infrapod

dayLUX



 **MADE IN  
BRITAIN**

### System Architecture



### Mounting Bracket Options

Figure 1. Wall Mounting

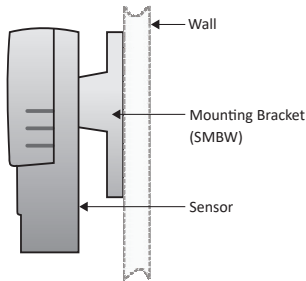


Figure 2. Ceiling Mounting

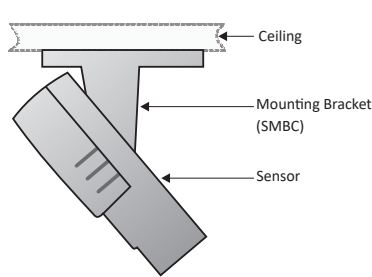
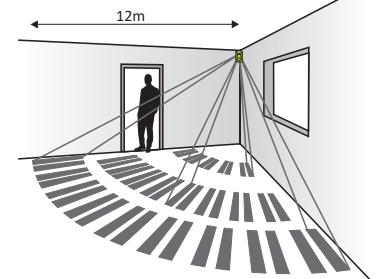


Figure 3. Occupancy Detection Coverage



### Technical Data

Movement Sensor	
Type	» Passive Infra Red
Movement Sensor Type	» Dual pyro element
Field of View	» See coverage diagram
Coverage	» 12 metre maximum @ 2.2 Metre mounting height
Output	» 12v open collector
Light Level Sensor	
Type	» Photo Diode
Lux Level	» Adjustable from 50 to 1500 lux (Switch OFF - Switch ON Level)
Mechanical	
Dimensions	» L=145mm x W=80mm x D=50mm
Material	» White Polycarbonate
Weight	» 100g
Operating temperature	» 0-40°C
IP rating	» IP 50
Installation	» Wall or Ceiling Mount Available
Product Codes	
SET-MLMW-SMBW	» Wall Mount Bracket
SET-MLMW-SMBC	» Ceiling Mount Bracket

### Works With

Product Codes	Description
<b>DAYLUX Lighting Control System</b>	
SET-DLCM3	» Pluggable Lighting Control Module
SET-DLCM5	» Pluggable Lighting Control Module
SET-DDC1	» Hard Wired Lighting Control Module
SET-DDC2	» Hard Wired Lighting Control Module
SET-DDC4	» Hard Wired Lighting Control Module
<b>InfraPOD</b>	
SET-PODCU1	» Single Relay Controller
SET-PODCU2	» Dual Relay Controller

