

SET-R240W Occupancy Sensor

set square
energy saving controls

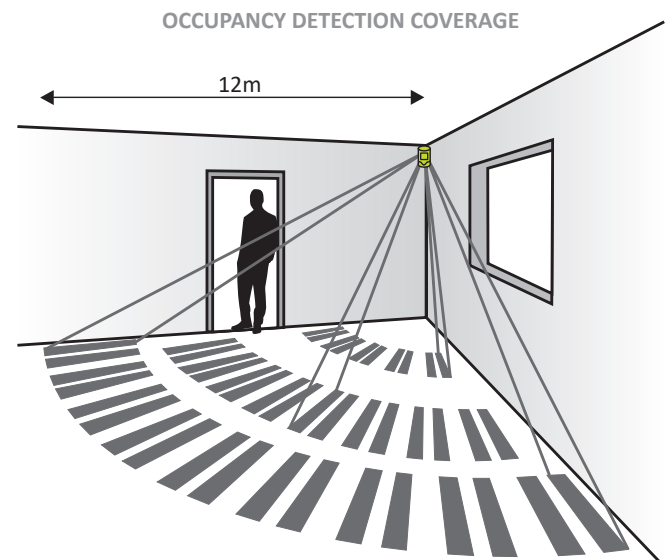


Key Features

- » PIR Occupancy Sensor.
- » Wall or Ceiling mount variants.
- » Volt free or 230V switching.
- » 12 Metre range.
- » Feed through relay - volt free or mains.
- » Linkable - connect multiple sensors together for greater coverage.
- » Built-in Light Level sensor.
- » Mode Lighting products are guaranteed for two years.

The SET-R240W is a presence detector designed for corridors or larger areas and operates by sensing movement of infra red radiation from a human body. With occupancy and light level detection incorporated into the unit, it's relay output can be configured to switch lights directly or provide a volt free signal to a lighting control system. The unit can be ordered with a ceiling or wall mounting bracket, both are adjustable to allow the correct coverage.

LITEminder



**MADE IN
BRITAIN**

SWITCHING

Mounting Bracket Options

Figure 1. Wall Mounting

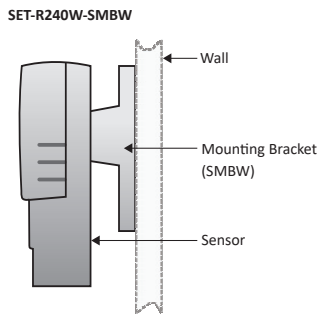


Figure 2. Ceiling Mounting

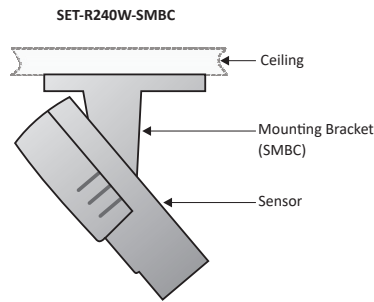
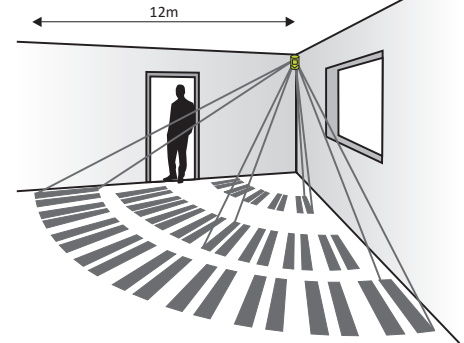


Figure 3. Occupancy Detection Coverage



Technical Data

Movement Sensor	
Type	» Passive Infra Red
Movement Sensor Type	» Dual pyro element
Field of View	» See coverage diagram
Coverage	» 12 metre maximum @ 2.2 Metre mounting height
Output	» Volt Free Relay
Maximum Relay Voltage	» 230v AC
Maximum Relay Load	» 8 amp inductive or resistive (9 x ballasts or drivers)
Time delay	» 4, 8, 16 and 32
Light Level Sensor	
Type	» Photo Diode
Lux Level	» Adjustable from 50 to 1500 lux (Switch OFF - Switch ON Level)
Mechanical	
Dimensions	» L=145mm x W=80mm x D=50mm
Material	» White Polycarbonate
Weight	» 100g
Operating temperature	» 0-40°C
IP rating	» IP 50
Installation	» Wall or Ceiling Mount Available
Product Codes	
SET-R240W-SMBW	» With Wall Mount Bracket
SET-R240W-SMBC	» With Ceiling Mount Bracket

Works With

Product Codes	Description
DAYLUX Lighting Control System	
SET-DLCM3	» Hard Wired Lighting Control Module
SET-DLCM5	» Hard Wired Lighting Control Module
SET-DDC1	» Hard Wired Lighting Control Module
SET-DDC2	» Hard Wired Lighting Control Module
SET-DDC4	» Hard Wired Lighting Control Module
InfraPOD	
SET-PODCU1	» Single Relay Controller
SET-PODCU2	» Dual Relay Controller

