

SET-SOLO1 Occupancy Sensor

set square
energy saving controls



The SET-SOLO1 is a standalone surface ceiling mounted PIR sensor combined with a light level sensor which detects the movement of infra-red radiation from a human body and the ambient light level. The sensor is mains powered and when movement is detected and the natural daylight is insufficient, it will switch the light ON. When no movement is detected over the adjustable time delay, the lights will switch off.

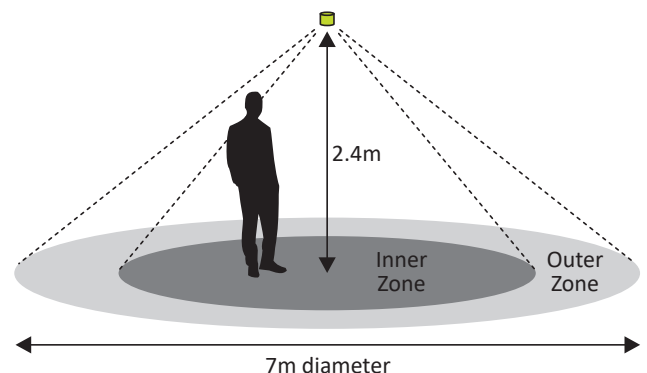
Key Features

- » Occupancy and Light Level sensor.
- » Surface mounting.
- » 230V Switching.
- » Standalone operation.
- » Super sensitive - dual pyro element detection.
- » Single gang box mounting into plasterboard or fibre ceiling tiles.
- » Multi-facet fresnel lens.
- » Compact and discreet form factor.
- » Mode Lighting products are guaranteed for two years.

LITEminder

**MADE IN
BRITAIN**

SWITCHING



Installation Diagrams

Figure 1. Mounting
SIDE

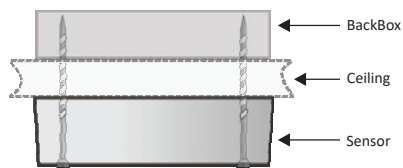


Figure 2. Wiring
BACK

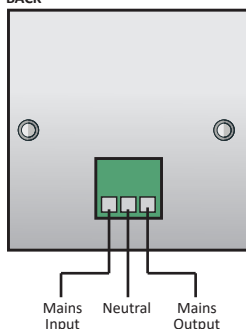


Figure 3. Using the Sensor
FRONT

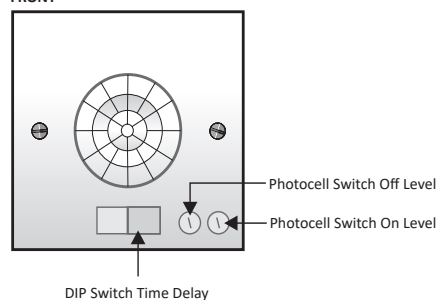
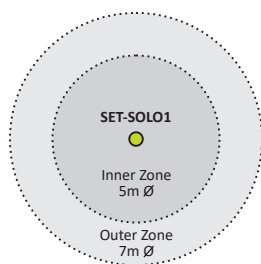


Figure 3. PIR Detection Coverage



Technical Data

Inputs	
Voltage Supply	» 230v AC 50Hz
Current Consumption	» 100mA
Connection	» Screw Terminals
Movement Sensor	
Type	» Passive Infra Red
Movement Sensor Type	» Dual pyro element
Field of View	» 360°
Coverage	» Diameter = 3 x Ceiling Height (m)
Output	» Switched 230v AC
Switching Capacity	» 8 Amps inductive or resistive. (9 LED drivers or HF Ballasts)
Time Delay	» 4, 8, 16 or 32 minutes
Light Sensor	
Type	» Photocell
Light Level Sensor Type	» Photo Diode
Lux Level	» 50 - 1500 Lux (adjustable)
Time Delay	» 30 second buffer between ON level and OFF level
Mechanical	
Dimensions	» L=80mm x W=80mm x D=27mm
Material	» White Polycarbonate
Weight	» 44g
Operating temperature	» 0-40°C
IP rating	» IP 50
Mechanical Fixing	» Fits to a single gang back box
Product Codes	
SET-SOLO1	» Standard

