

# SET-DDC1

## Lighting Control Module

**set square**  
energy saving controls



Side



Back



Internal



### Key Features

- » Hard wired network addressable dimming controller.
- » 1 x Channel DALI broadcast, up to 64 DALI devices.
- » 1 x 16 A emergency test relay output.
- » 1 x Sensor port, for up to 10 x occupancy sensors and one light level sensor.
- » 5 x Dry contact programmable inputs.
- » LCD display for standalone programming.
- » Mode Lighting products are guaranteed for two years.

The SET-DDC1 is a single channel hard wired Lighting Control Module (LCM) programmed by front end software as part of the Daylux Lighting Control system. It has a single DALI broadcast universe output that can control up to 64 DALI devices. Occupancy and light level sensors are wired directly back to the sensor port for automatic daylight harvesting of the lighting load. Each unit also incorporates a programmable feed through relay which enables a centralised manual test facility for the emergency lighting.



**RS-485**

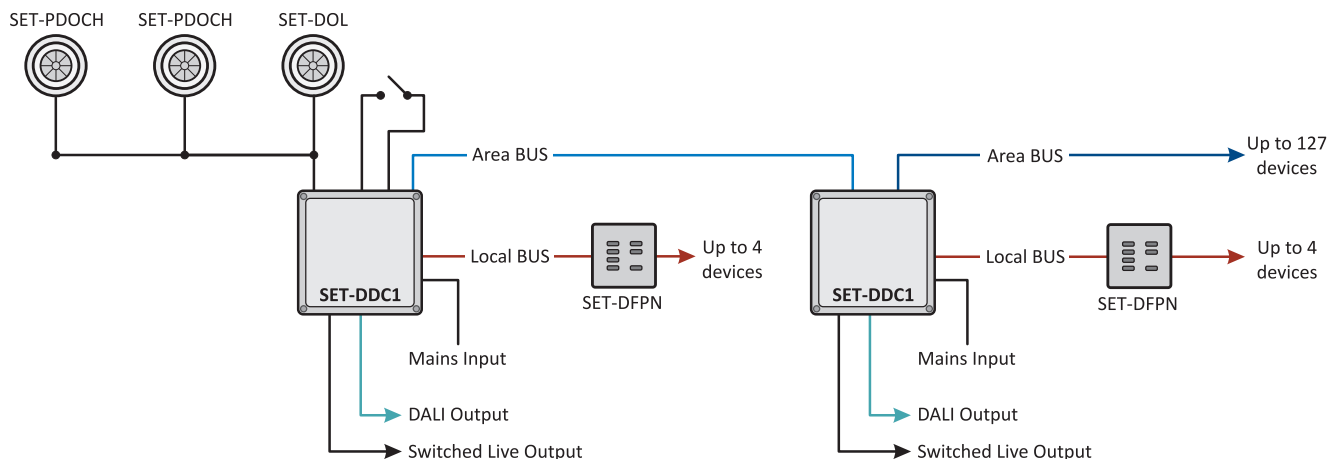
**DSI**

**DALI**

**0/1-10v**

**SWITCHING**

## System Architecture



## Technical Data

Inputs	
Mains Supply	» 230v AC 50/60hz single phase
Mains Input Connector	» Hard wired terminal » Live, Neutral, Earth
Trigger Inputs	» 5 x Volt Free contact switch inputs, programmable
Sensor Inputs	» 1 x Sensor input for a maximum of 10 x presence sensors, including a maximum of 1 light level sensor. Provides 12V power to sensors.
Outputs	
Hard Wired Outputs	» 1 x 16 amp relay outputs » 1 x DALI broadcast outputs » 1 x 0-10v Analogue outputs
Area Bus	» RS485 bus interconnecting LCMs
Local Bus	» RS485 bus for connection of scene control plates (4 maximum)
Mechanical	
Dimensions	» L=180mm x W=180mm x D=78mm
Material	» Grey Polycarbonate
Weight	» 700g
Operating Temperature	» 0-40°C
IP rating	» IP65 (if IP rated cable glands are used for installation)
Product Codes	
SET-DDC1	» Hard Wired Lighting Control Module

## Works With

Product Codes	Description
SET-DAC	» Area Controller
SET-DLCM3	» Pluggable Lighting Control Module
SET-DLCM5	» Pluggable Lighting Control Module
SET-DDC1	» Hard Wired Lighting Control Module
SET-DDC2	» Hard Wired Lighting Control Module
SET-PDOCH	» Occupancy Sensor
SET-DOL	» Occupancy and Light Level Sensor
SET-DFPN	» Scene Setting Control Plate



Mode Lighting Limited. The Maltings, 63 High Street, Ware, Hertfordshire, SG12 9AD. United Kingdom.  
 Tel: +44 (0) 1920 462121 | Fax: +44 (0) 1920 466881 | Email: sales@modelightning.com | www.modelightning.com