

Impulse LV

Low Voltage 0-10V



Impulse is a remote dimmer that can be operated by any momentary or centre retractive type switch.

A single switch can be used to provide ON/OFF/RAISE/LOWER operation.

A centre retractive switch can be used for ON/RAISE and OFF/LOWER control.

The Impulse-LV can also be used for multi position, multi gang dimming control.

The ID-00-01 is suitable for the control of 0/1-10v dimmable lighting loads. Impulse modules are also available for Leading Edge Mains Dimming (ID-01-01-LED) and Trailing Edge Mains Dimming (ID-01-01-LED-TE) control.

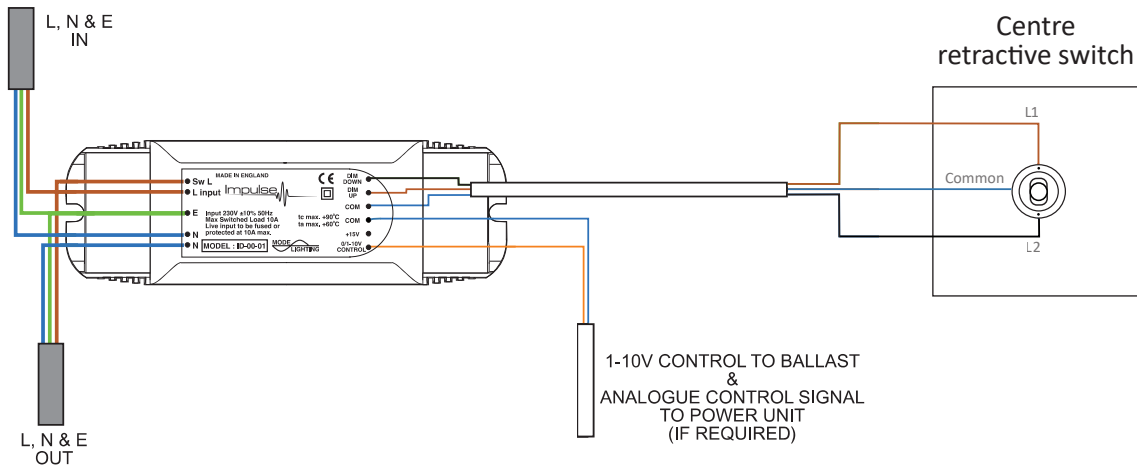
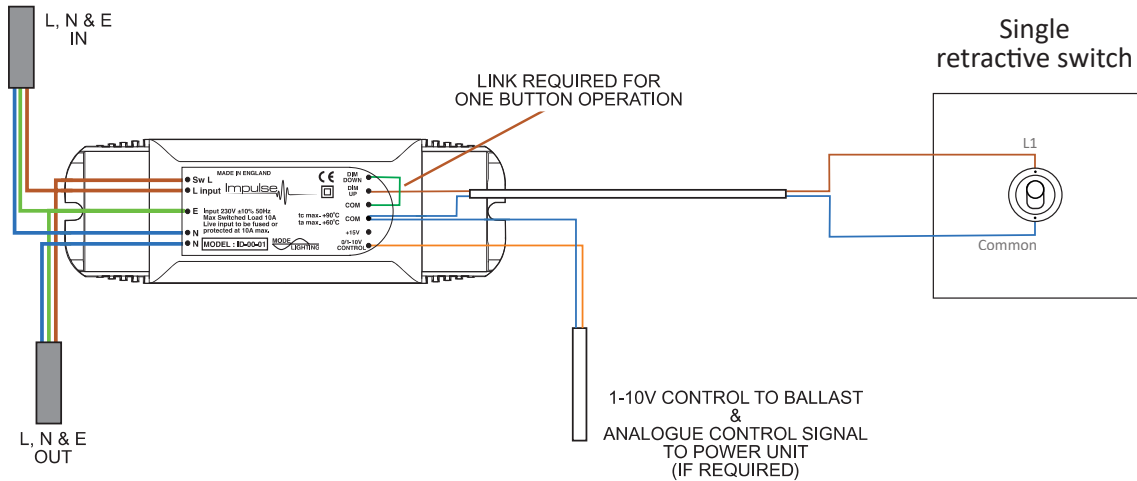
Please see separate datasheets for more information.

Key Features

- ▶ 250W in-line Mains Switched + 1-10V Dimmer.
- ▶ Suitable for 0/1-10V dimming loads.
- ▶ Uses existing switch plate wiring.
- ▶ Controlled by any momentary switch.
- ▶ ON/OFF, DIM UP/DIM DOWN functions.
- ▶ Multi position dimming control.
- ▶ Fully isolated switch plate input.
- ▶ Complies with EC EMC and Low Voltage Directives (CE).
- ▶ 2 year warranty.



Wiring Detail



Technical Specifications

Power	
Circuit Supply	» 200-250V, 50-60Hz
Connections & Cable Specifications	
Channel Outputs	» 250W 0/1-10V controlled LED load
Control Input	» Isolated input(s) from volt free switch
Output	» Switched mains output + 1-10V dimming
Mechanical	
Case Material	» Flame retardant polycarbonate to UL94-V0
Case Colour	» Black
Dimensions	» 49mm High x 150mm Wide x 35mm Deep
Weight	» 0.15kgs

Installation should be in accordance with the relevant National Wiring Regulations and other applicable Regulations. Compliance to EC EMC and Low Voltage Directives may be invalidated if not used or installed according to the published specification.

ID-00-01 should be located in well ventilated areas and should not be covered or enclosed by insulating materials.

Mode reserve the right to amend the product specification or design at any time and without notice.



Mode Lighting Limited. The Maltings, 63 High Street, Ware, Hertfordshire, SG12 9AD. United Kingdom.
 Tel: +44 (0) 1920 462121 | Fax: +44 (0) 1920 466881 | Email: sales@modelighting.com | www.modelighting.com