

Crossfade Two

CF2



- ⚙️ **SPEED** - Allows adjustment of the complete fading cycle between 0.5 and 100 seconds.
- ⚙️ **CROSSPOINT** - Adjusts the combined light level at the crossover points in the cycle. At minimum, one channel is off whilst the other fades up then down. At midway the crossover point is at half brightness giving a constant light level. At maximum one channel is always fully on whilst the other is fading.
- ⚙️ **DIMMER** - Controls the overall lighting level. An internal preset control is also provided to allow the brightness of channel 1 to be adjusted independently. This may be used to compensate for lights of differing intensity.
- ⚙️ **STATIC** - Stops the cycling action and switches both channels to the level set by dimmer control.
- ⚙️ **TWO DIMMABLE CHANNELS** of 5 Amps resistive or 3 Amps inductive load.
- ⚙️ **OPERATES** most types of lighting including neon and low voltage lamps.
- ⚙️ **VARIABLE** speed crossfade.
- ⚙️ **QUICK BLOW FUSES** for complete triac protection.
- ⚙️ **SURFACE** or wall mounting.
- ⚙️ **UNIQUE** crosspoint control.
- ⚙️ **IDEAL** for shop window and foyer displays.
- ⚙️ **EASY** to install.
- ⚙️ **MODE** products are guaranteed for two years.

TECHNICAL DATA

	CF2
Mains Supply	200-250 volt, 50-60Hz. 10 amp maximum.
Control Fuse	500mA anti surge.
Earth	This product must be earthed.
Channel Outputs	Two channels rated at 5 amp Resistive, 3 amp Inductive.
Output Protection	DIN41571 5 amp (F) 20mm x 5mm fuse.
Control Inputs	Front panel controls.
Connections	Terminals

	CF2
Conduit Entries	Five of 20mm.
Dimensions	279 mm x 157 mm x 67 mm.
Fixing Centres	221mm.
Weight	1.15 kgs.
Packed Size	480 mm x 230 mm x 110 mm.
Packed Weight	1.7 kgs.

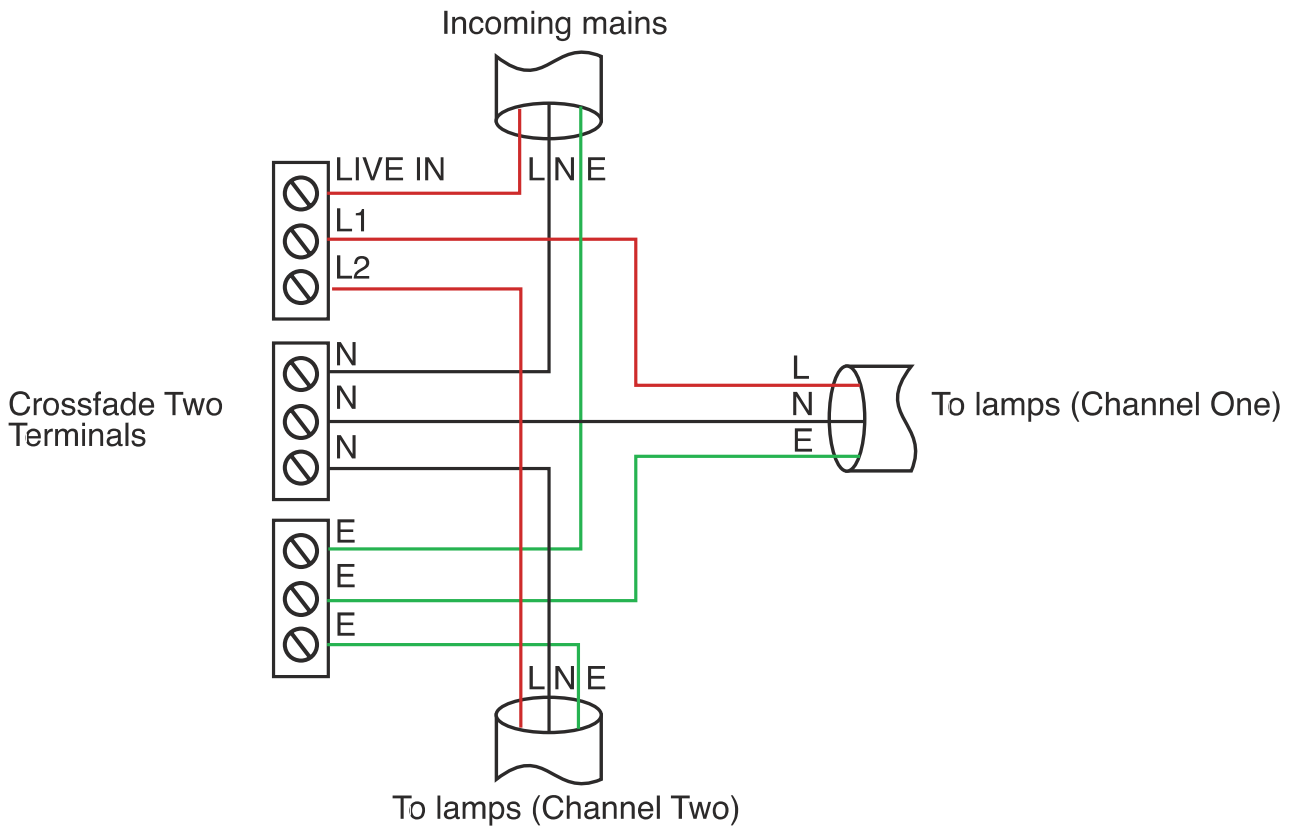
DESCRIPTION

The Mode 'Crossfade Two' is a compact two channel crossfade unit specifically designed to meet the requirements of shop fitters and club designers in creating a subtle and interesting lighting effects.

WIRING INFORMATION

The "Crossfade Two" can be panel or wall mounted in any position. Remove front panel for access to fixing holes and terminals.

WIRING DIAGRAM



Five 20mm conduit entry holes are provided at the left hand end of the case. The unit has a metal case and **MUST BE EARTHED**.

Fuses Two spare fuses are provided. Only quick-blow fuses type DIN 41571 5 amp (F) will protect the unit from damage caused by short circuits or lamp failures. Replacement fuses are obtainable from Mode Lighting (UK) Limited.

Note Where lighting leads have been run close to sensitive audio circuits, it is advisable to use screened lighting cable.

COMPANY SUMMARY

Mode was established in 1970 as an Original Equipment Manufacturer in Hertfordshire, England. Mode designs and manufactures electronic products principally for the lighting industry, initially supplying the discotheque market and more recently expanding into the architectural and cruise ship markets. Mode is a subsidiary of a privately owned Holding Company and has five associated electronic companies who together trade as "The Mode Group".
