

These instructions apply to the SET-MLMW-SMBC sensor. Setsquare recommend all installations are carried out by a suitably qualified electrician and that these instructions are followed. Failure to do so may lead to damage to either the circuits or installer.

Unit Description

The SET-MLMW-SMBC is a ceiling mounted sensor which detects light level and the movement of infra-red radiation from a human body. The sensor is supplied with a wall mounting bracket, a ceiling mounting bracket is available as an option. The sensor is designed to be used as a sensor to provide light level and occupancy detection for lighting controllers.

Locating Sensor

The sensor should be mounted on a rigid surface where it has a clear view of the occupancy zone, and should preferably be mounted in front of rather than behind activity.

Avoid placing adjacent to forced air heating or cooling systems (1 metre or more in direct flows).

Fitting Sensors

The sensor mounting bracket is mounted directly to a ceiling. The mounting bracket allows the sensor to have its angle of view adjusted. If it is needed to be mounted on a wall, then the optional SET-SMBW mounting bracket will be required.

Use with Setsquare Controllers.

If it is necessary to cover a larger occupancy detection area than possible with one sensor, sensors can be connected together to provide a larger detection area. This can be simply achieved as the units have an open collector output so that all that is necessary is to connect the +12v, OCH and GND pins in parallel. They can be used with any Setsquare controller that needs an infra red motion sensor. Typical controllers that may use this sensor are InfraPOD II, and InfraPOD-DUO.

Only one Light Level sensor can be used, it will be necessary to pick the sensor that gives the best representative light level. If a sensor is chosen that is too close to windows, then it is possible that when setup, when the lights are switched off those parts of the room furthest from the windows may be insufficiently lit.

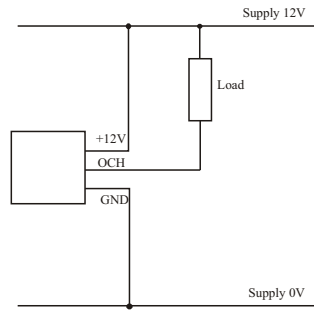
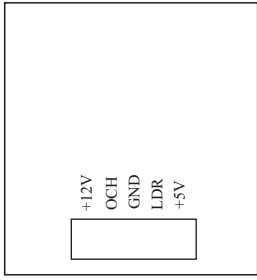
Use with other systems.

The SET-MLMW-SMBC has an open collector output for occupancy detection which could be used to drive a relay or a pull-up resistor.

The output from the SET-MLMW-SMBC is not provided with any form of time delay, and so any load will switch ON and OFF as the infra red source moves within the detection zone.

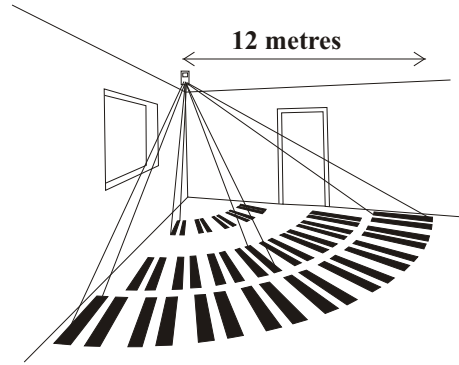
The light level output is from an isolated Light dependant resistor, which could be used to drive any suitable controller.

Connection details



The output will be high when not detecting any Infra Red signal, and will go low when Infra Red detected.

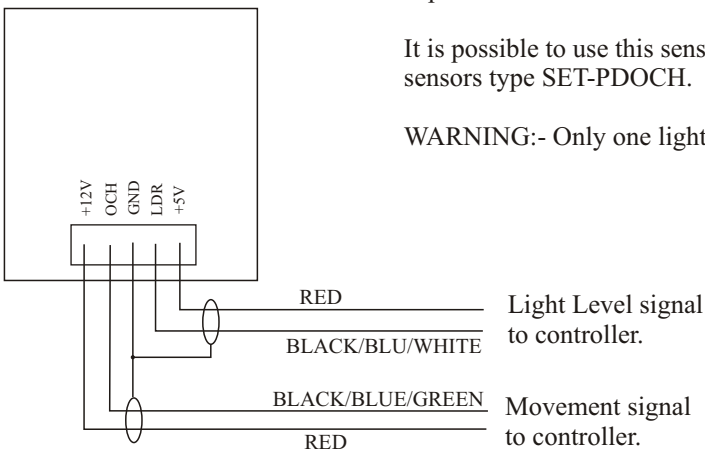
Detection Pattern



If connecting more than one SET-MLMW-SMBC sensor to a controller then it is possible to connect the +12V, OCH, and GND signals in parallel.

It is possible to use this sensor connected in parallel with our recessed ceiling sensors type SET-PDOCH.

WARNING:- Only one light level sensor must be used



Specification

Motion Sensor

Detector	Passive Infra Red.
Supply Voltage	12Volts dc. (other supply voltages available).
Supply Current	1mA Maximum not including load.

Output

Maximum voltage	40V
Maximum current	25mA

Light Level

Detector	Semiconductor.
----------	----------------

Optical

Field of view	110Deg Ceiling mount version.
Range	12metres maximum.

Order Codes

Sensor	SET-MLMW-SMBC
Wall Bracket	SET-SMBW

WARNING

This unit contains electronic devices.

Do not perform any high voltage tests on this product or to any equipment connected to this product.

Mains connections can be high voltage tested in accordance with BS 7671:2008,
IEE Wiring Regulations 17th edition section 613.3.3.

The SET-MLMW-SMBC is one of a range of energy conservation products available from Setsquare.

This apparatus may be turned on by high powered RF interference and should not be installed near pager aerials or inductive loop equipment. It will recover when the RF ceases.



Electrical and electronic equipment should never be disposed of with general household or commercial waste but collected for their proper treatment and recovery. The crossed out wheely bin symbol is to remind you of the need to dispose of this product at the end of its life in a way that will assist in the recovery, recycling and reuse of many of the materials used in this product. Where possible also recycle the packaging.



WEE/DJ0002ZR

For details of other products contact:-

Setsquare Energy Saving Controls
The Maltings
63 High Street
Ware
Hertfordshire
SG12 9AD
United Kingdom

Phone:01920 462121

Fax: 01920 466881

www: setsquare.com

E-Mail: sales@modelighting.com