

These instructions apply to the Liteminder SET-R240W-SMBC. Setsquare recommend all installations are carried out by a suitably qualified electrician and that these instructions are followed. Failure to do so may lead to damage to either the circuits or installer.

Unit Description

The Liteminder SET-R240W-SMBC is an automatic light switching system which operates by sensing movement of infra-red radiation from the human body. The unit incorporates occupancy, light level detection and switching all in one unit.

The unit is supplied with fitted with the SET-SMBC ceiling bracket. If it is required to use the SET-SMBW wall bracket then this must be ordered as an optional part. Follow the instructions to remove the ceiling bracket and install the wall bracket which are supplied with the bracket.

Location

The sensor and mounting bracket should be mounted on a rigid surface where it has a clear view of the occupancy zone, and should preferably be mounted in front of rather than behind activity.

The SET-R240W-SMBC sensor is designed to be mounted on a ceiling at 2.4m high. The mounting bracket allows the sensor to have its angle of view adjusted. The mounting bracket for the SET-R240W-SMBC should be positioned so that traffic moves across, rather than towards the detector. Position the sensor where it does not look out of a door. Avoid placing adjacent to forced air heating or cooling systems (1 metre or more in direct flows).

If the sensor needs to be mounted on a wall, then the optional SET-SMBW mounting bracket will be required.

Operation

Lighting will operate when powered up.

The existing light switch can be retained as an override OFF and should be wired in the output from the relay and not in the mains supply to the unit..

If switching a contactor please contact the technical department of Setsquare on telephone number 01732 851888.

Electrical Connection

1. Screw in the lens retaining screw if necessary and remove by sliding upwards..
2. Remove the front of the case by unscrewing the two screws at the top of the case.
3. Remove the top half of the green terminal block.
4. Feed the cable through the cable entry gland. (Use only the designated cable entry, and gland provided).
5. Connect wiring to top half of terminal block as per the diagram.
6. Replace terminal block back into socket.
7. Replace the front of the case and fix using screws removed.
8. Set switch 2 ON (into test mode) and replace the lens.
9. Reinstate mains supply to unit. The Liteminder SET-R240W-SMBC powers up ON, wait for 10 minutes for the unit to stabilise.
10. Ensure unit switches off when there is no movement, and switches on when movement is detected in the detection zone.
11. Remove lens and set switch 2 OFF (out of test mode) and adjust time delay and photocell as required.

Sensor Setup

Time Delay Setting

Set the dip switches as given in the table below to give the required time delay from loss of occupancy.

Time Delay	Minutes			
	4	8	16	32
Switch 3	on	on	off	off
Switch 4	on	off	on	off

Recommended Delays

Office - Low traffic	16mins
Office - High traffic	8mins
Classroom	8mins
Corridor	8mins

Mode Setting

Switch 2 on for TEST mode, off for NORMAL operation.
Switch 1 always off.

Light Level Setup

Important:- The Light Level is easiest to set up when the lights are required to switch ON, i.e. When it is dull.

Slide the front cover open to reveal the controls.

1. Turn dials RV1 and RV2 fully anticlockwise.
2. Turn the ON control RV1 until the green LED glows. The yellow LED may flash. This is the level at which light will come ON, however this will only activate after 30 seconds as there is a buffer to stop short dull spells making the light flash on and off.
3. When the lights come on turn the OFF control RV2 until the yellow LED glows and remains ON, then turn clockwise the equivalent of one hour on a clock face. This ensures the OFF level is higher than that created by the lights. The OFF level should always be greater than the ON level.

Fault Finding.

Q. Light will not come ON.

A. Check red LED flashes, if not check power is on. If red LED flashes check photocell.

Q. Light goes ON and OFF every 10 seconds.

A. Time delay set to TEST mode.

Q. Light goes OFF when I am working but comes ON when I move.

A. Realign sensor or increase time delay.

Q. Light goes ON and OFF every 30 seconds

A. Gap between light on and off is too small. Adjust photocell to suit.

Q. Can I override the photocell and use detection only.

A. Yes, turn both RV1 and RV2 fully clockwise.

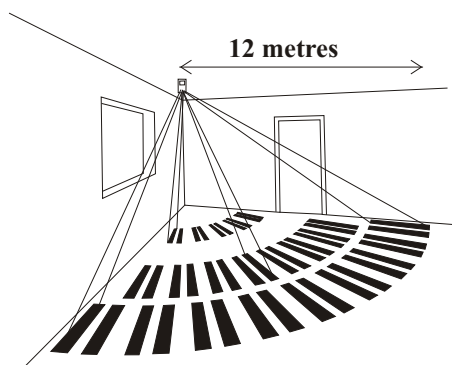
Q. The yellow/green LED's flash.

A. Light level is wrongly set. Check and retry.

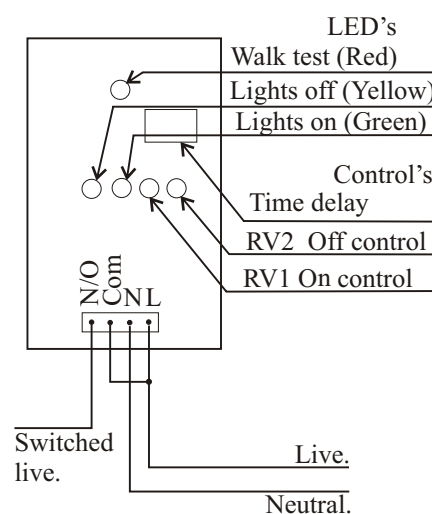
Q. Can I use photocell only.

A. No.

Detection Pattern



Wiring Diagram



Specification

Supply Voltage	230V ac $\pm 10\%$, 50 or 60Hz (other supply voltages available)
Switching Capacity	8Amp inductive or resistive up to 240Vac Maximum of 8HF ballasts
Time Delays	4, 8, 16, or 32 minutes.
Temperature	0°C to 40°C Ambient Temperature Range.
Order Code	SET-R240W-SMBC (Ceiling mounted version)

Motion Sensor

Sensor	Passive infra red detector
Field of view	110Deg Ceiling mount version
Range	12metres maximum

Light Sensor

Light Level	50 to 1500 Lux $\pm 10\%$
-------------	---------------------------

Accessories

Contactors	SET-CE2, SET-CE4
Wall Bracket	SET-SMBW



NOTE:- This unit is not suitable for use with Metal Halide Lamps.

The Liteminder SET-R240W is one of a range of energy conservation products available from Setsquare.

This apparatus may be turned on by high powered RF interference and should not be installed



Electrical and electronic equipment should never be disposed of with general household or commercial waste but collected for their proper treatment and recovery. The crossed out wheely bin symbol is to remind you of the need to dispose of this product at the end of its life in a way that will assist in the recovery, recycling and reuse of many of the materials used in this product. Where possible also recycle the packaging.



WEE/DJ0002ZR

For details of other products contact:-

Setsquare Energy Saving Controls
The Maltings
63 High Street
Ware
Hertfordshire
SG12 9AD
United Kingdom

Phone : 01920 462121

Fax : 01920 466881

www : setsquare.com

E-Mail : sales@modelighting.com

REF:- SETR240W-SMBC_1 20-01-2014
DS331 V1.0