

4 Channel Relay Contact Module



The Relay Contact Module is an ultra compact DIN rail mounted unit with connections for four relay outputs and an M-BUS network. Each feed through relay can switch 5A with a maximum module load of 20A.

Each of the four relays are individually addressable and are all synchronised to zero crossing of the AC sine wave referenced to the module mains supply. This minimises the potential arc damage that can occur to the contacts.

The Relay Contact Module can be used in standalone mode where it can be set up directly via the onboard keypad and display driven menu system without the need for a PC.

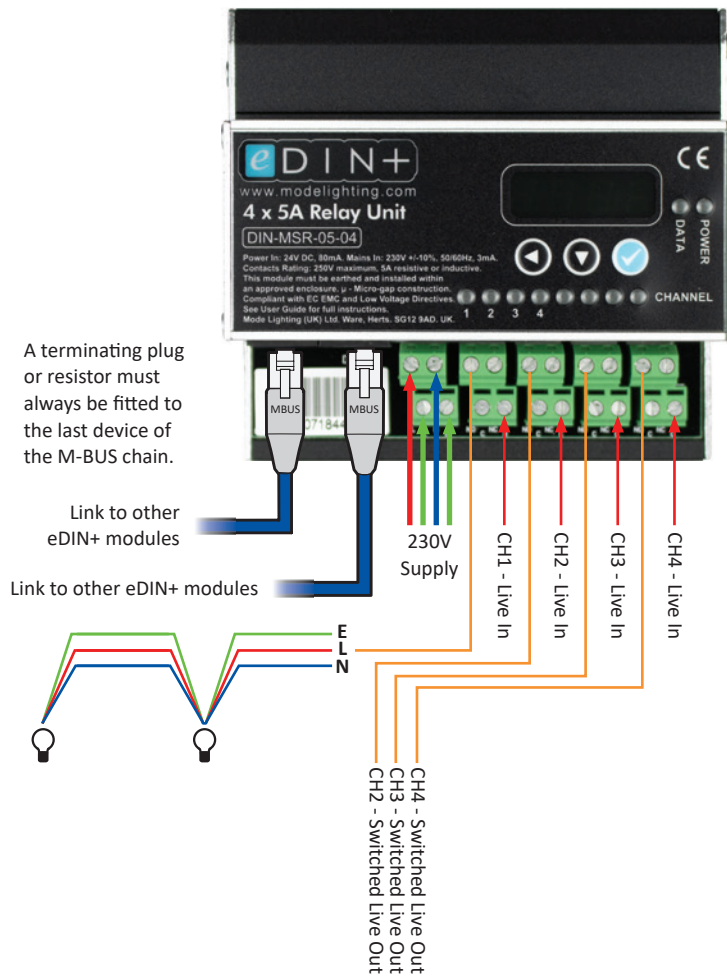
As part of a wider networked solution, Relay Contact Modules can be configured to operate as part of an eDIN+ fully addressable lighting management system.

Key Features

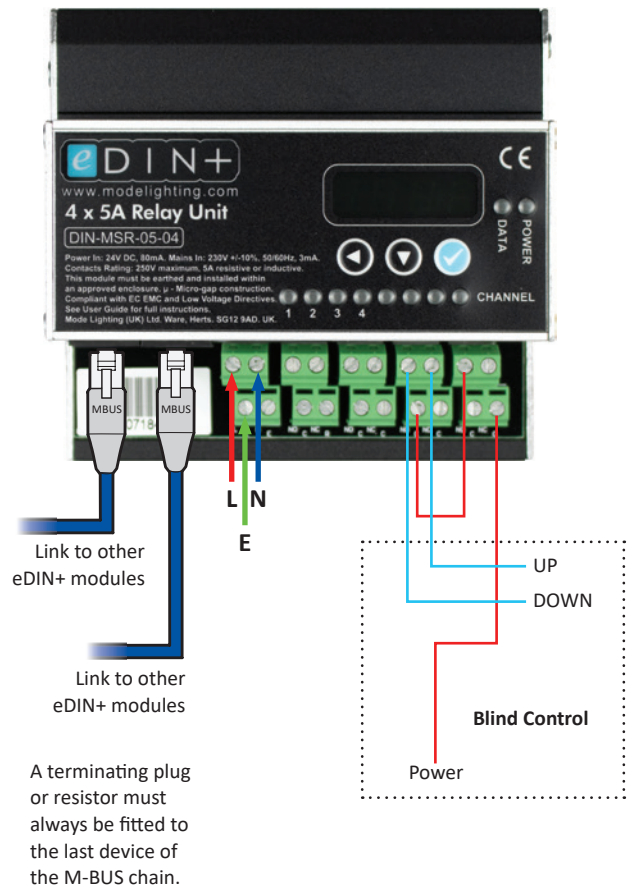
- » Four individually addressable relays.
- » 5A per relay - resistive or inductive loads.
- » Up to 1A of compatible LED load per channel.
- » One double pole changeover contact for forward/reverse motor control for blind operation.
- » Three single pole changeover contacts for standard ON/OFF operation.
- » Mains synchronised zero crossing of relay contacts.
- » Feed through relay contacts (voltage free) for interface with other building control systems.
- » Intelligent standalone feature providing multiple operating modes programmed from the menu driven display and keypad.
- » Compact 6M width DIN rail mounting module.
- » 2 year warranty.



Switched Lighting Control Example



Blind Control Wiring Example



Technical Data

Power	
Mains Supply	<ul style="list-style-type: none"> » 230V AC +/- 10% 50/60Hz, single phase (mains sync) » Locally isolated via an unswitched fused spur 3A maximum
Connections & Cable Specifications	
Control Input	» M-BUS
M-BUS Current Consumption	» 80mA
Output Control Type	<ul style="list-style-type: none"> » 1 x DPCO » 3 x SPCO
Relay Output (4qty)	<ul style="list-style-type: none"> » 4 x 5A maximum per channel, resistive or inductive loads » Feed through relays
Mechanical	
Material	» Extruded aluminium case
Standards	» EN55015, EN61547, EN61000-3-2, EN61000-3-3, EN60669-2-1
Dimensions	» 100mm High x 104mm Wide x 64mm Deep
Weight	» 0.35kgs
Module Size for DIN Enclosure	» 6 Module (6M)

Note
For additional technical information refer to Installation Guide DIN-MSR-05-04-PLUS.

Installation should be in accordance with the relevant National Wiring Regulations and other applicable Regulations. Compliance to EC EMC and Low Voltage Directives may be invalidated if not used or installed according to the published specification. DIN-MSR-05-04-PLUS should be located in well ventilated areas and should not be covered or enclosed by insulating materials. Mode reserve the right to amend the product specification or design at any time and without notice.



Mode Lighting Limited. The Maltings, 63 High Street, Ware, Hertfordshire, SG12 9AD. United Kingdom.
Tel: +44 (0) 1920 462121 | Fax: +44 (0) 1920 466881 | Email: sales@modelighting.com | www.modelighting.com