

iCON Control Plate



The iCON Plate offers simple plate styling using the Aspect range of screwless plates from MK and combines them with intelligent flexible control from buttons which can be engraved with text or symbols to identify operation. Each button has a multicolour LED behind it allowing illumination to be chosen based on function or purely as a style choice.

Buttons can be programmed to recall a scene, toggle a scene ON and OFF, RAISE or LOWER lighting levels, control blinds.

iCON is just one of a range of keypads and user interfaces available from Mode Lighting which have been designed to offer the user a wide selection of finishes, button styles, layouts and overall styling.

All keypads connect using the M-BUS network and systems can be controlled to allow any button to control any single group or groups of lighting as required.

Key Features

- » Single gang plate.
- » 10, 5 and 2 button options as standard.
- » Stylish screwless fascia plate utilising the MK Aspect range.
- » Buttons available in either black or white.
- » Multi function button action - Scene Recall, Impulse and Toggle.
- » Indicator LEDs with seven user selectable RGB colours and intensity. Red, Green, Blue, Magenta, Cyan, Orange and White.
- » Extensive library of laser etched button icons with custom designs available on request.
- » Two volt free contact switch inputs - individually addressable and configurable.
- » Keypad lockout.
- » Fault condition feedback via LED flashing.
- » Different fascia finishes available.
- » 2 year warranty.

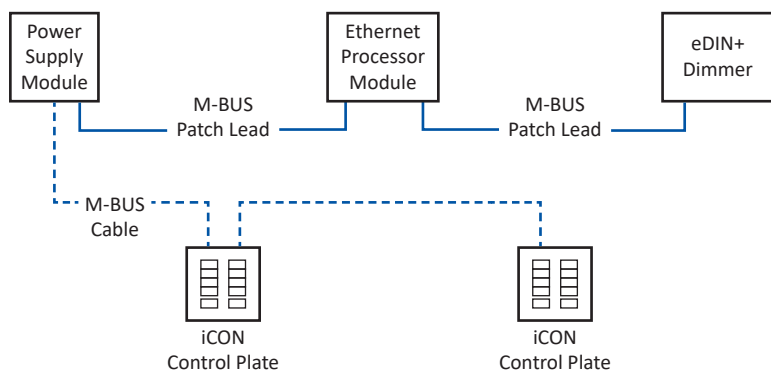
EVOLUTION
IT WAS ONLY A MATTER OF TIME

eDIN+

 **MADE IN
BRITAIN**

 **M-BUS** CE

System Architecture



Technical Data

| Power | |
|------------------------------------|--|
| Power Supply | » +24V (from dataline) |
| Connections & Cable Specifications | |
| M-BUS | » Fast, flexible installation using M-BUS cable |
| Configurable I/O | » 1mm ² rising clamp screw terminals » Any mains rated cable (e.g. 1mm ² 2 core) |
| Mechanical | |
| Material | » Zinc plated steel and ABS plastic |
| Dimensions | » 87mm High x 87mm Wide x 35mm Deep |
| Fixing | » Suits standard UK single gang back box (47mm deep type) |
| Fascia Finishes | » Brushed Stainless Steel (ICN-S-BSS-**) » White (ICN-S-WHI-**) » Polished Brass (ICN-S-PBR-**) » Polished Chrome (ICN-S-POC-**) » Antique Bronze (ICN-S-ABZ-**) » Other finishes available as a custom build |
| Button Configurations | » 2 Buttons (ICN-SGP-20-***) » 5 Buttons (ICN-SGP-50-***) » 10 Buttons (ICN-SGP-55-***) |
| Button Colour Finishes | » Black Buttons (ICN-SGP-**-BLK) » White Buttons (ICN-SGP-**-WHI) |

Plate Finishes Available

Standard Plate Finishes



BSS – Brushed Stainless Steel



WHI – White



PBR – Polished Brass



POC – Polished Chrome



ABZ – Antique Bronze

Custom Plate Finishes



BNK – Brushed Nickel



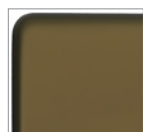
NKL – Polished Nickel



CHA – Charcol



BLK – Black



ABZ – Antique Brass

Installation should be in accordance with the relevant National Wiring Regulations and other applicable Regulations. Compliance to EC EMC and Low Voltage Directives may be invalidated if not used or installed according to the published specification.

Mode reserve the right to amend the product specification or design at any time and without notice.



Mode Lighting Limited. The Maltings, 63 High Street, Ware, Hertfordshire, SG12 9AD. United Kingdom.
Tel: +44 (0) 1920 462121 | Fax: +44 (0) 1920 466881 | Email: sales@modelightning.com | www.modelightning.com