

SET-ALD5

Light Level Sensor

set square
energy saving controls



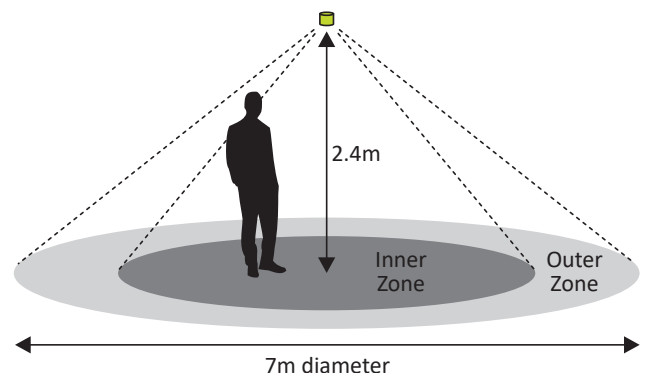
The SET-ALD5 is a discrete low profile ceiling mounted Light Level sensor which detects the ambient light within a space. The sensor provides an analogue DC signal back to the Lighting Control System which in turn uses the information to dim or switch the relevant lighting. The sensor can be used in many of Mode's lighting control systems including the Setsquare and eDIN systems.

Key Features

- » Light Level sensor.
- » Compact and discreet form factor.
- » Low Voltage SELV.
- » Dynamic analogue light level sensing.
- » Easy mounting in plasterboard ceilings or fibre ceiling tiles.
- » Multi-facet fresnel lens.
- » IP64 rated version for use within bathrooms.
- » Surface mounting kit available (SET-PSB).
- » Mode Lighting products are guaranteed for two years.

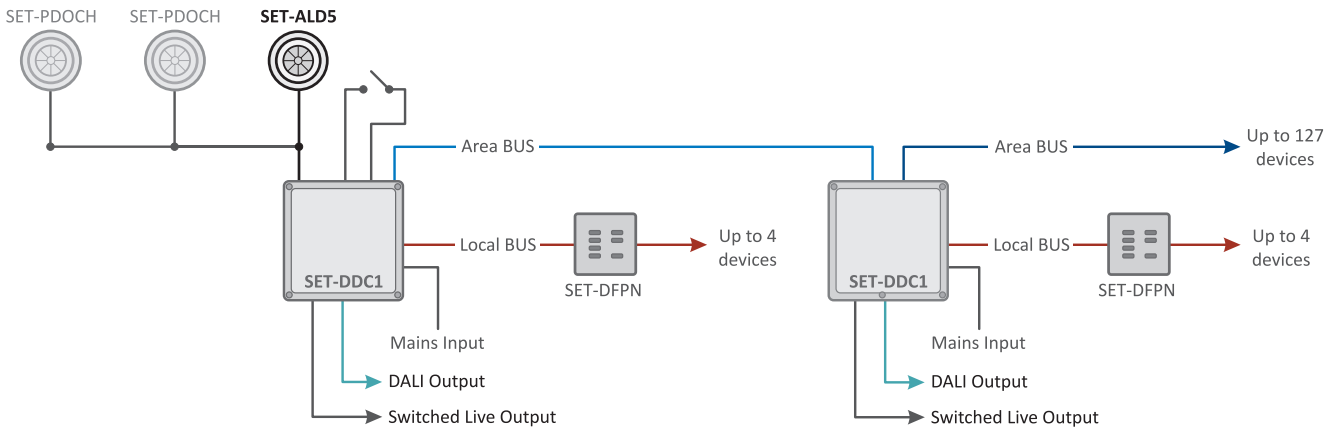
infrapod

dayLUX



**MADE IN
BRITAIN**

System Architecture



Installation Diagrams

Figure 1. Rear Mounting.

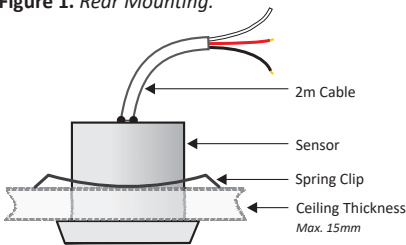
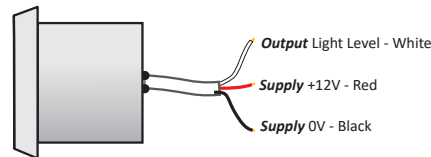


Figure 2. Wiring



Technical Data

Inputs	
Voltage Supply	» 12v DC
Current Consumption	» 1mA
Connection	» 2 metre screened lead (White).
Light Level Sensor	
Type	» Photo Diode
Load	» 4K7 Ohms Minimum
Output	» 0-10v DC
Lux Level	» 0-300 Lux
Mechanical	
Dimensions	» L=45mm x W=45mm x D=35mm
Material	» White Polycarbonate
Weight	» 42g
Operating temperature	» 0-40°C
IP rating	» IP 50
Installation hole	» 38mm
Mechanical Fixing	» Metal spring clip
Product Codes	
SET-ALD5	» Standard - For ceiling tile mount
SET-ALD5-S	» Absence Detector - Extra pair of wires for volt free switch
SET-ALD5-FF	» Volt Free - Extra pair of wires for volt free output

Works With

Product Codes	Description
DAYLUX Lighting Control System	
SET-DLCM3	» Pluggable Lighting Control Module
SET-DLCM5	» Pluggable Lighting Control Module
SET-DDC1	» Hard Wired Lighting Control Module
SET-DDC2	» Hard Wired Lighting Control Module
SET-DDC4	» Hard Wired Lighting Control Module
SET-PSB	» Surface Mount Kit
SET-FF	» Front Fit Kit
InfraPOD	
SET-PODCU1	» Single Relay Controller
SET-PODCU2	» Dual Relay Controller

