

Universal Ballast Control Module



The Digital Addressable Lighting Interface (DALI) Ballast Control Module is an ultra compact DIN rail mounted unit with connections for a DALI Universe, Configurable Inputs-Outputs and an M-BUS network.

Using DALI you can connect up to 64 luminaires through a single data connection whilst retaining individual control. This is complemented with four additional channels of Configurable I/O.

Power for the DALI fixtures can be supplied from the local distribution board.

The DALI Ballast Control Module can be used in standalone mode where it can set up directly via the onboard keypad and display driven menu system and the intelligent DALI set up assistant without the need for a PC.

As part of a wider networked solution, DALI Ballast Control Modules can be configured to operate as part of an eDIN+ fully addressable lighting management system.

Key Features

- » Integral 250mA DALI Power Supply.
- » DALI short circuit and overload protection.
- » Intelligent standalone feature providing DALI group control and four channels of Configurable I/O programmed from the menu driven display and keypad.
- » Configurable I/O provides connections for Scene Recall switches, Impulse switches, 0/1-10V and DSI lighting circuits.
- » LED status indication for field connected control wiring and devices.
- » Installer pre-commissioning testing via the onboard keypad and display.
- » Non-volatile flash memory.
- » The modules provide a flexible solution for bespoke panel design to suit any application and installation constraints.
- » Compact 6M width DIN rail mounting module.
- » 2 year warranty.



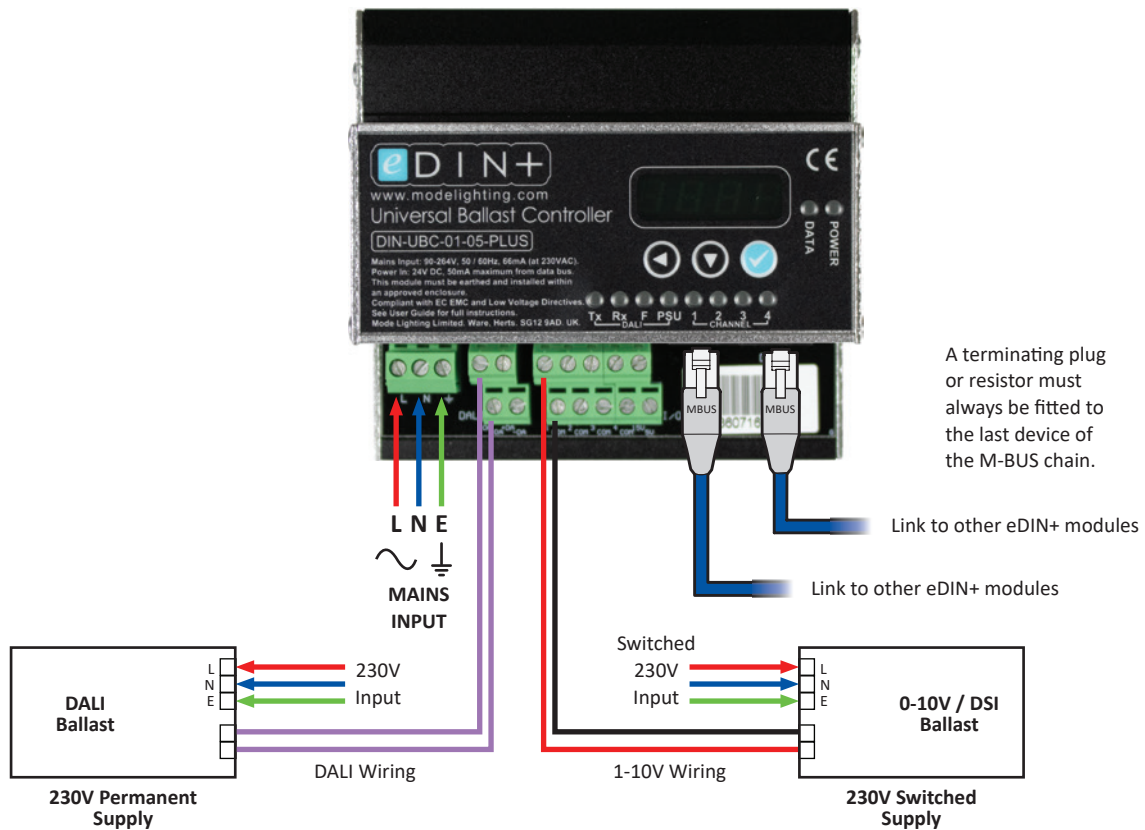
DALI

M-BUS

**CONFIGURABLE
I/O**



System Architecture



Technical Data

Power	
Mains Supply	<ul style="list-style-type: none"> » 230V AC +/- 10% 50/60Hz, single phase » Locally isolated via 2A MCB maximum
Connections & Cable Specifications	
Control Input	» M-BUS
M-BUS Current Consumption	» 50mA
DALI (1qty)	<ul style="list-style-type: none"> » Integral 250mA DALI power supply » Short circuit and overload protection
Configurable I/O (4qty)	<ul style="list-style-type: none"> » Input: <ul style="list-style-type: none"> : 0/1-10V : DSI » Output: <ul style="list-style-type: none"> : 0/1-10V (typically 25 ballast) : DSI (typically 25 ballast)
Mechanical	
Material	» Extruded aluminium case
Standards	» EN55015, EN61547, EN61000-3-2, EN61000-3-3, EN60669-2-1
Dimensions	» 100mm High x 104mm Wide x 64mm Deep
Weight	» 0.35kgs
Module Size for DIN Enclosure	» 6 Module (6M)

Note
For additional technical information refer to Installation Guide DIN-UBC-01-05-PLUS.

Installation should be in accordance with the relevant National Wiring Regulations and other applicable Regulations. Compliance to EC EMC and Low Voltage Directives may be invalidated if not used or installed according to the published specification. DIN-UBC-01-05-PLUS should be located in well ventilated areas and should not be covered or enclosed by insulating materials. Mode reserve the right to amend the product specification or design at any time and without notice.



Mode Lighting Limited. The Maltings, 63 High Street, Ware, Hertfordshire, SG12 9AD. United Kingdom.
Tel: +44 (0) 1920 462121 | Fax: +44 (0) 1920 466881 | Email: sales@modlighting.com | www.modlighting.com