

# Surface Box

for Mode Multi Sensor  
DIN-MSENS-SMMB-WHI

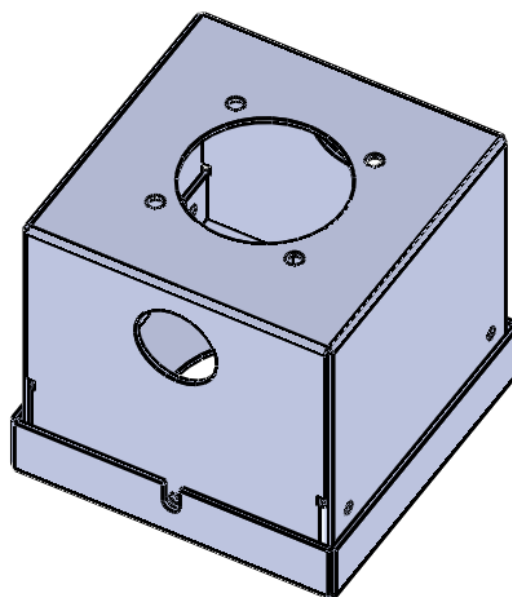


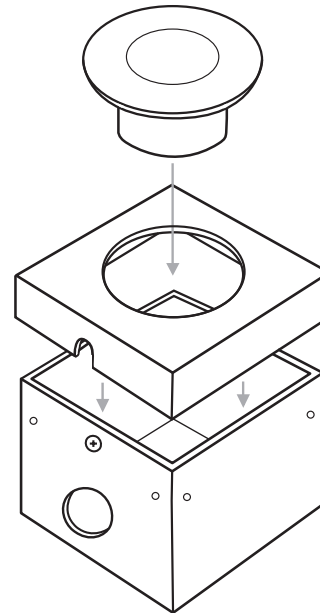
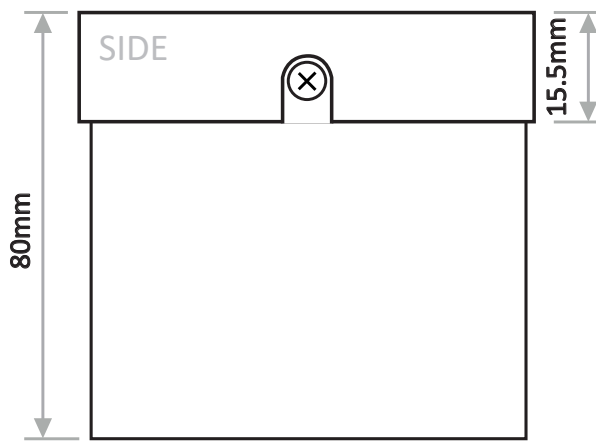
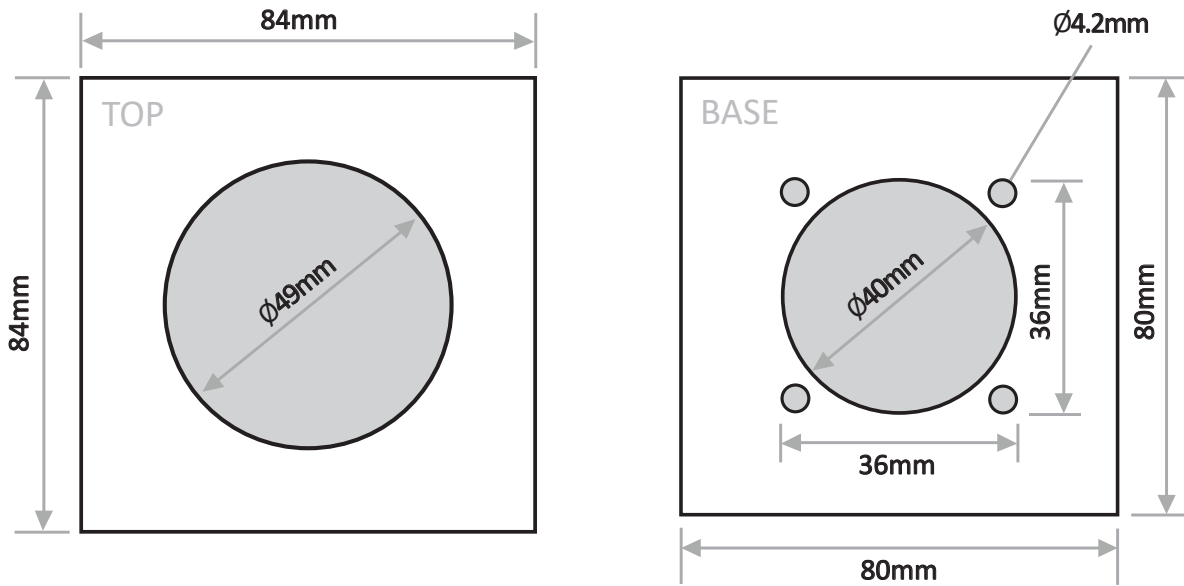
## Key Features

- Metal surface box suitable for mounting on conduit boxes or using conduit pipe couplers.
- Easy-fix lid for mounting of sensor to box and to allow access for wiring.
- Matt white finish as standard.
- Custom finishes available to special order.

This simple metal enclosure enables the eDIN+ Sensor, DIN-MSENS to be surface mounted either by mounting onto a standard conduit box or by the use of conduit pipe and couplers.

Compatible with DIM-MSENS-RM-T  
(supplied separately)





### Technical Data

Dimensions	84 x 84 x 80mm
Fixing Centres	Ø36mm, Ø36mm, Ø4.2mm
Material Colour	White (other finishes available to special order)
Weight	150g

Installation should be in accordance with the relevant National Wiring Regulations and other applicable Regulations. Compliance to EC EMC and Low Voltage Directives may be invalidated if not used or installed according to the published specification.

Mode Lighting Limited reserve the right without notice to amend the technical information and specifications.



Mode Lighting Limited. The Maltings, 63 High Street, Ware, Hertfordshire, SG12 9AD. United Kingdom  
 Tel: +44 (0) 1920 462121 | Fax: +44 (0) 1920 466881 | email: [sales@modelighting.com](mailto:sales@modelighting.com) | [www.modelighting.com](http://www.modelighting.com)